



**P.I.T.**®  
Progressive Innovative Technology

**EN** PRODUCT PASSPORT  
USER'S MANUAL

**RU** ПАСПОРТ ИЗДЕЛИЯ  
ИНСТРУКЦИЯ ПОЛЬЗОВАТЕЛЯ

**ELECTRIC SPRAY GUN**

**КРАСКОПУЛЬТ ЭЛЕКТРИЧЕСКИЙ**



**EAC**

**PSG3021-C PRO**

**PROGRESSIVE INNOVATIONAL TECHNOLOGY**

**ПРОГРЕССИВНЫЕ ИННОВАЦИОННЫЕ ТЕХНОЛОГИИ**



## GENERAL SAFETY PRECAUTIONS

- Always check that the mains voltage corresponds to the voltage indicated on the tool nameplate.
  - This product has double insulation. Therefore, grounding is not required.
  - Regularly check the power cord and plug for damage. Refer to a qualified electrician for replacement if necessary.
  - Immediately discard the old power cord or plug after replacement.
  - It is not recommended to use excessively long extension cords.
  - If you use an extension cord on the coil, it must be fully unwound.
  - It is strictly forbidden to direct the electric spray gun nozzle at people or animals. Avoid spraying paint on the skin.
  - It is allowed to use paints and solvents at which temperature of ignition is not lower than 32°C.
  - Work only in well ventilated areas.
  - It is not recommended to operate the spray gun without the bell.
  - It is forbidden to work with the spray gun in areas where there is a possibility of fire or explosion.
  - It is recommended that you carefully study the operating room for signs of danger before you commence work.
  - Sprayed paints can be life threatening. Be sure to carefully examine the markings on the paint can.
  - Wear safety goggles and a paint mask or respirator when working.
  - It is recommended to work in protective headphones.
  - Keep the electric spray gun, paint tank and nozzle clean.
  - Do not spray paint near fire sources.
  - It is strictly forbidden to smoke while working.
  - Carefully read the recommendations of the paint manufacturer for its dilution.
  - Before filling the paint tank or clean the nozzle, disconnect the appliance from the power supply.
- Unplug the electric spray gun immediately if:**
- You have detected a failure or malfunction in the power cable.
  - In case of breakage of the on/off control.
  - In case of smoke or smell of burnt insulation.

## DECRYPTING THE DATE OF PRODUCTION OF THE PRODUCT

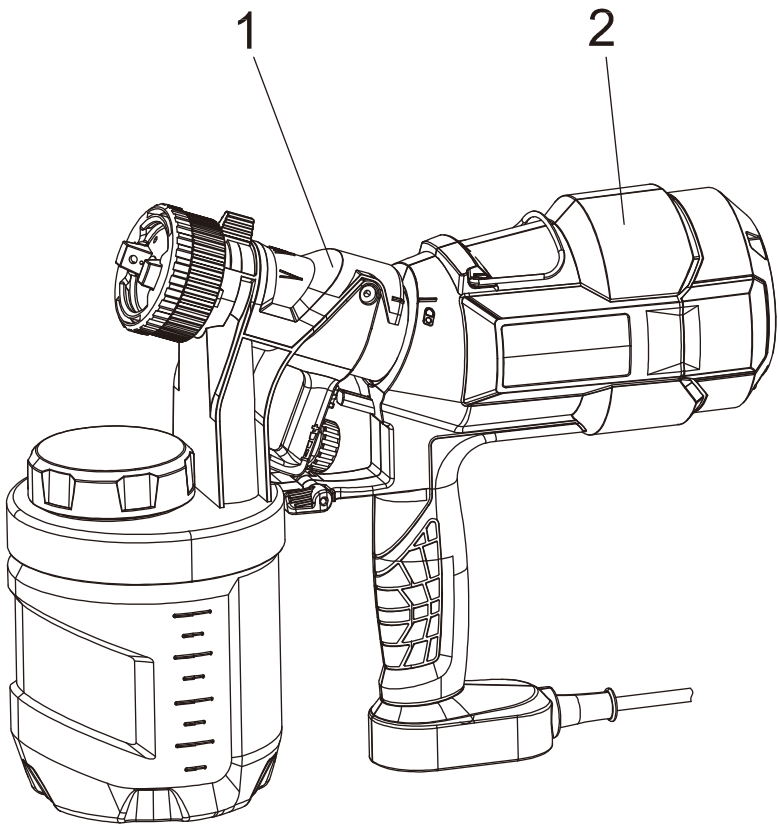
Date of manufacture of the product is encrypted in the serial number printed on the tool body. The first 2 digits indicate the year of manufacture, the next 2 digits - month and the following two digits – day.

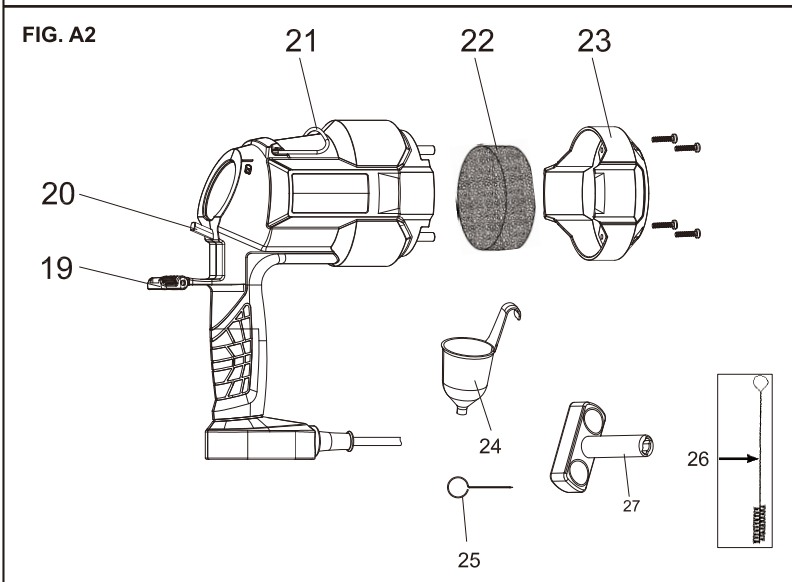
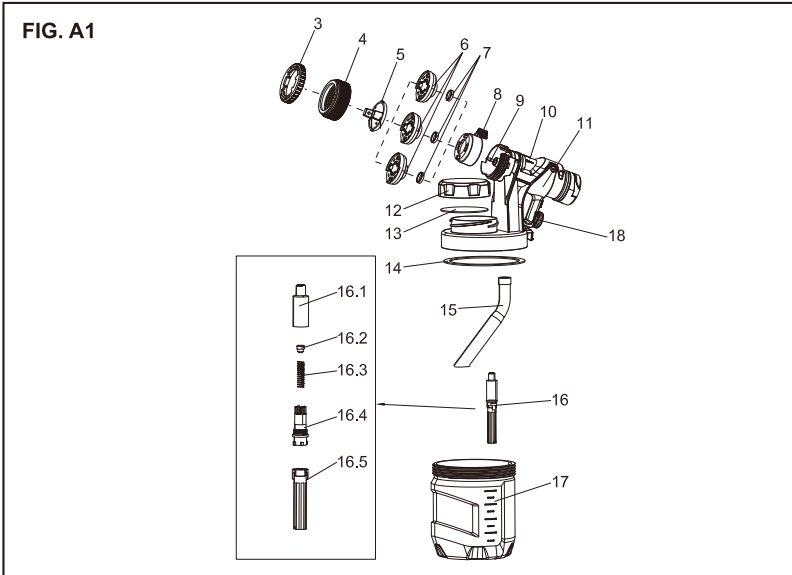
No. 

17	07	30	0395
----	----	----	------

  
Year month day

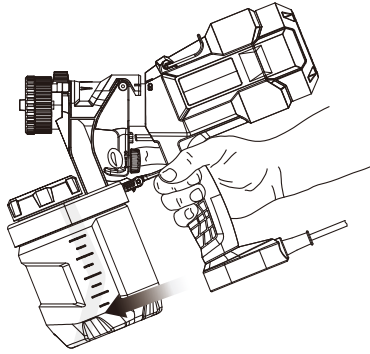
**FIG. A**



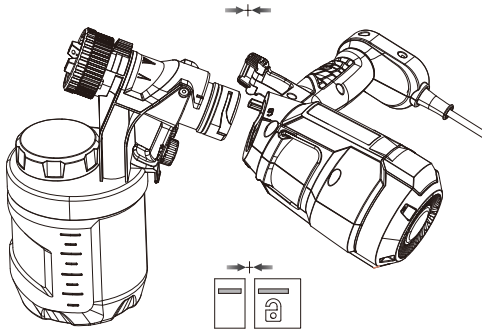




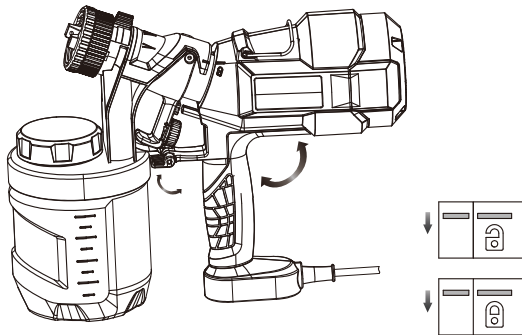
**FIG. B**



**FIG. C**



**FIG. D**



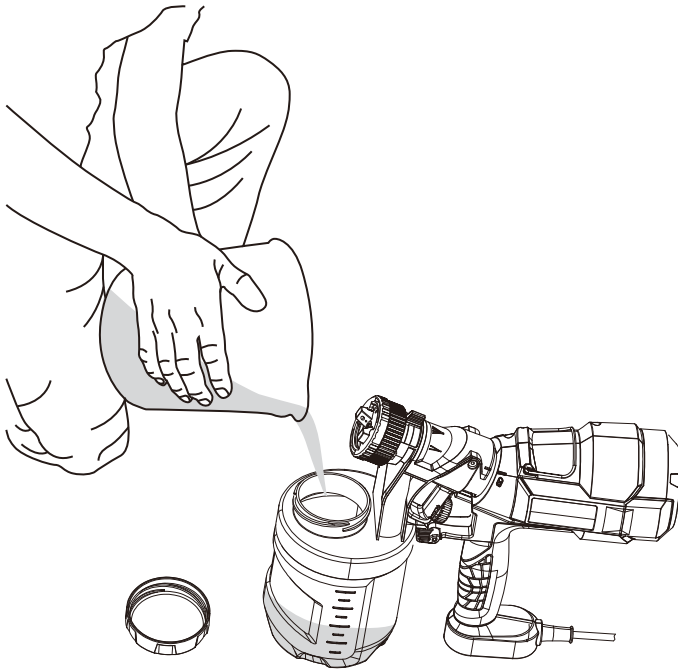
**FIG. E**

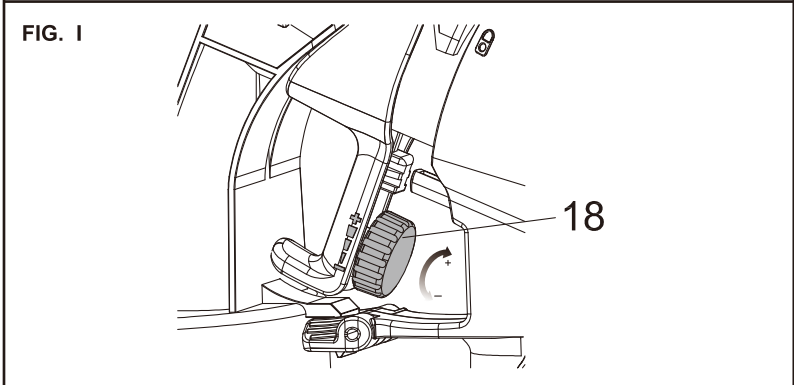
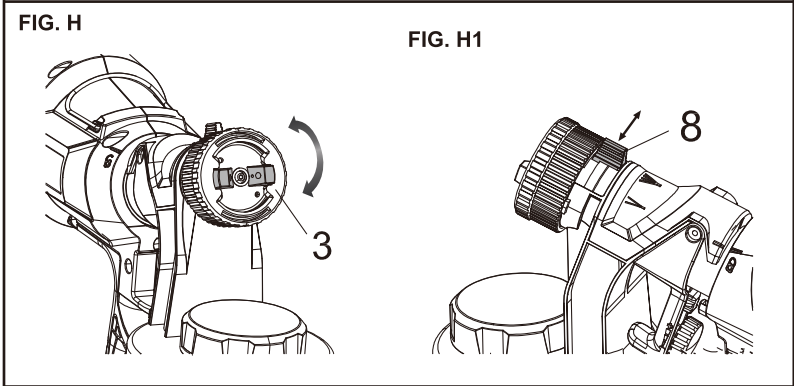
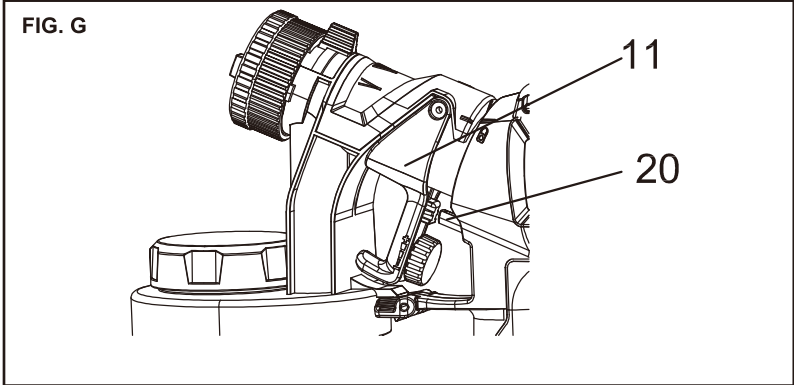


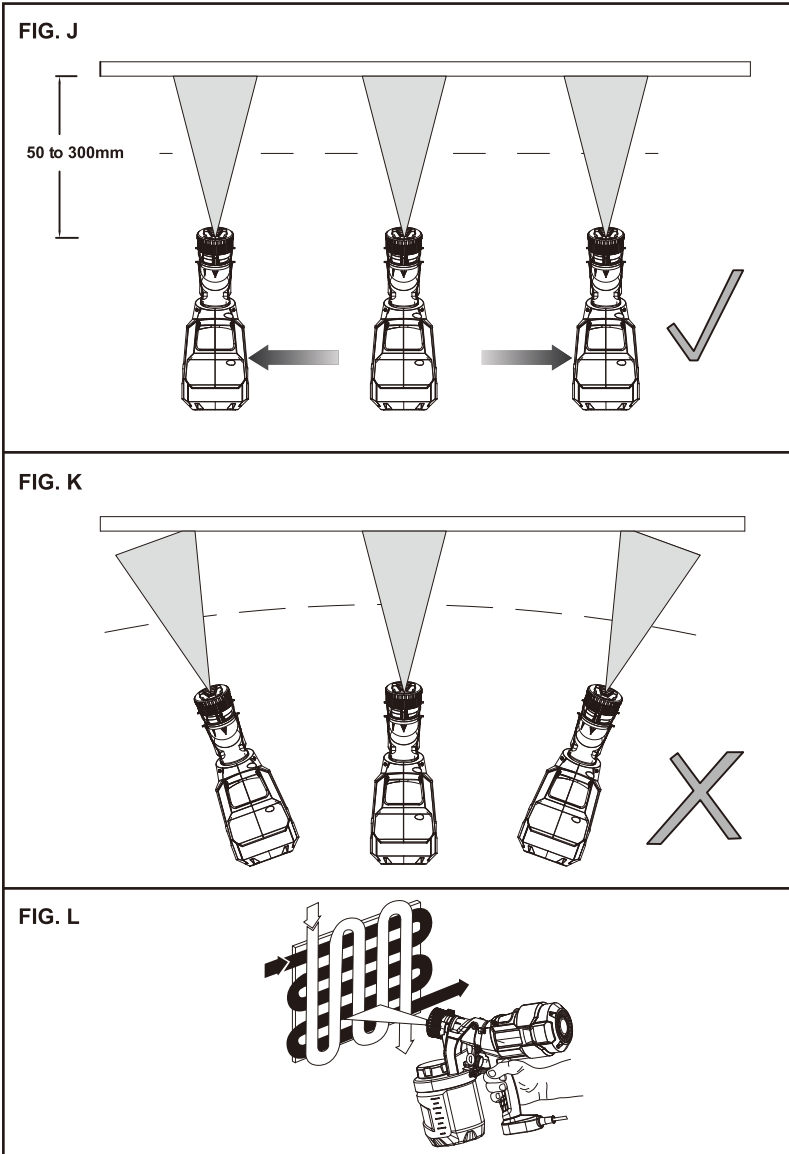
**FIG. E1**

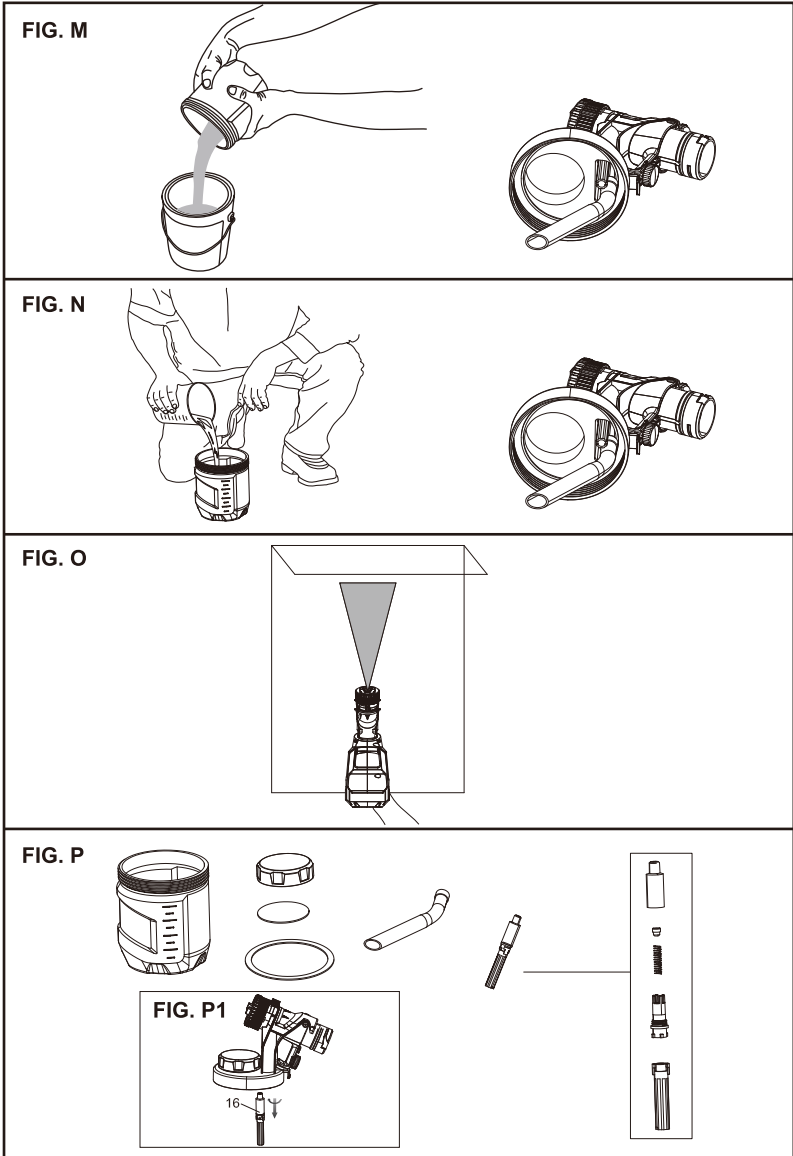


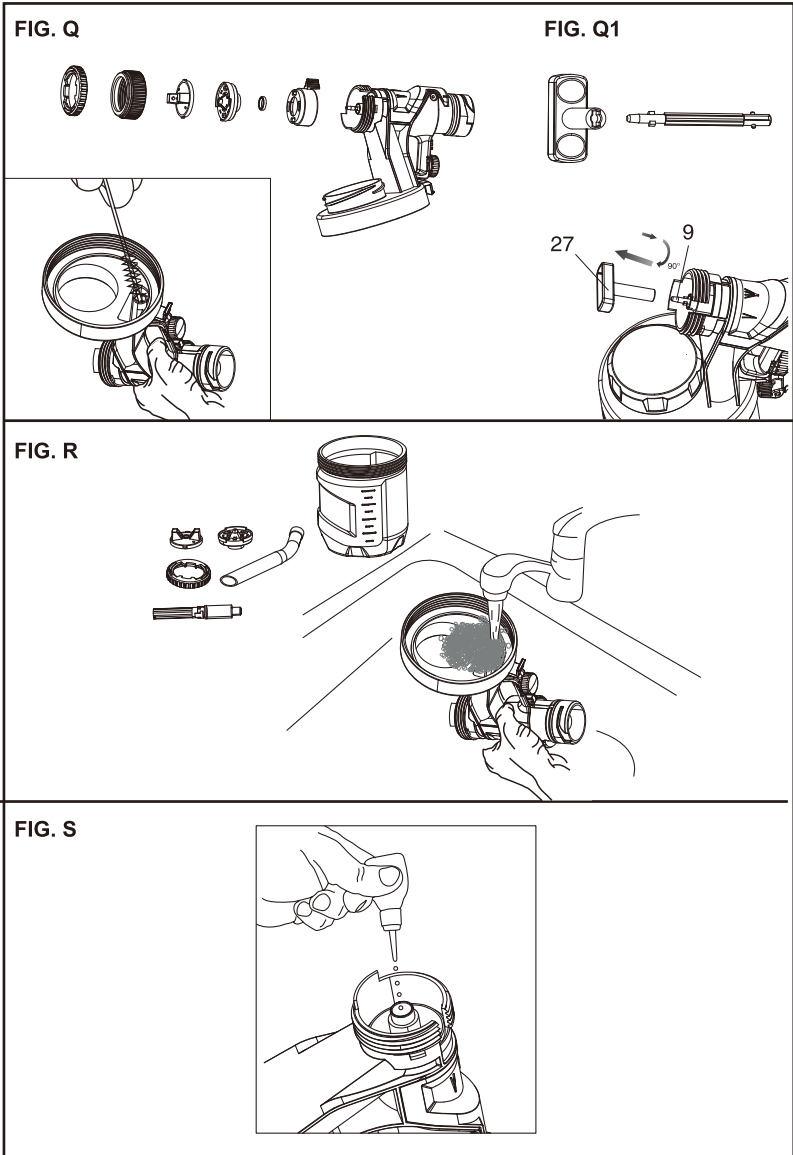
**FIG. F**

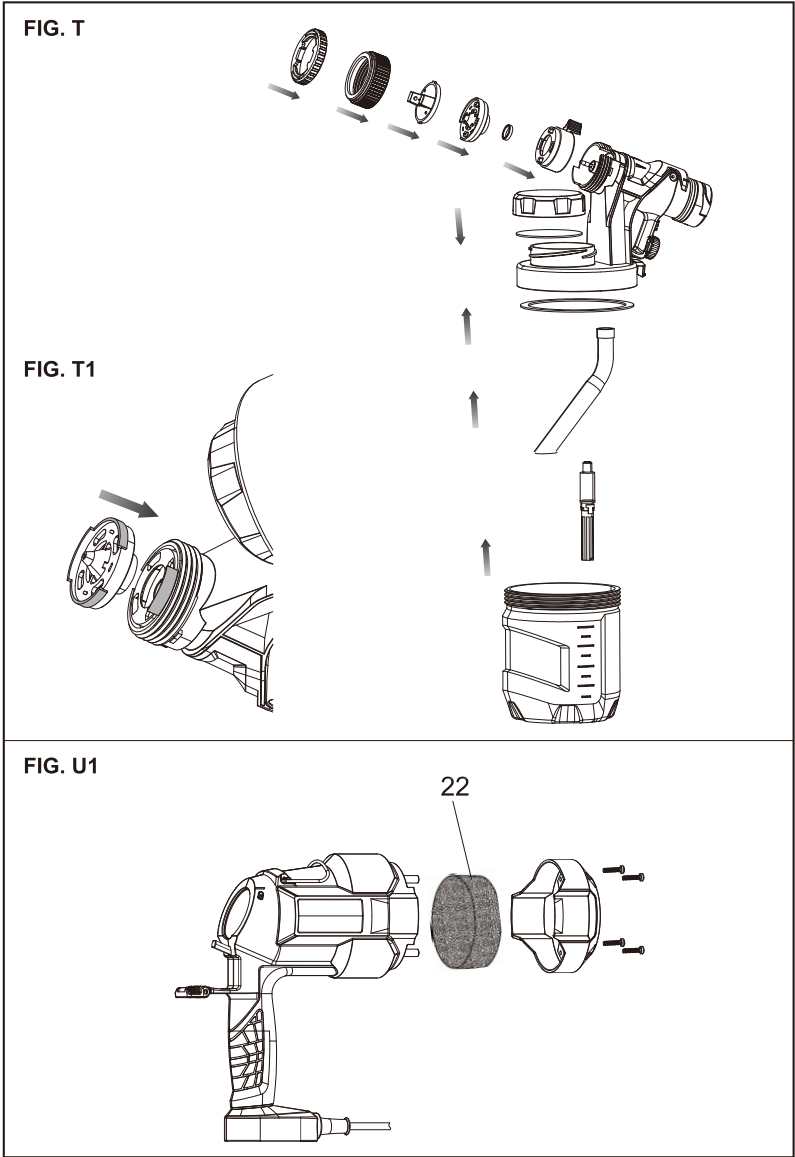














**TECHNICAL DATA**


<b>Rated Power</b>	<b>500W</b>
<b>Water Flow Rate</b>	<b>800ml/min</b>
<b>Max. Viscosity</b>	<b>70 DIN-s (runout time: 70seconds)</b>
<b>Nozzle Size</b>	<b>Φ2.0mm / Φ2.5mm / Φ3.0mm</b>
<b>Canister Capacity</b>	<b>900ml</b>


**SAFETY GUIDELINES - DEFINITIONS**

It is important for you to read and understand this manual. The information it contains relates to protecting **YOUR SAFETY** and **PREVENTING PROBLEMS**. The symbols below are used to help you recognize this information.


 **Danger!** Indicates an imminently hazardous situation which, if not avoided, will result in death or serious injury.


 **Warning!** Indicates a potentially hazardous situation which, if not avoided, could result in death or serious injury.

 **Caution!** Indicates a potentially hazardous situation which, if not avoided, may result in minor or moderate injury.


 **Notice!** Used without the safety alert symbol indicates a potentially hazardous situation which, if not avoided, may result in property damage.


**The following are explanations of important safety hazard pictorials in this manual.**

 Read and understand the instruction manual.

 Fire hazard.

 Explosion hazard.




 Respiratory hazard.

 Electric shock hazard.

**IMPORTANT SAFETY INSTRUCTIONS**

**SAVE THESE INSTRUCTIONS:** To reduce the risks of fire or explosion, electrical shock and the injury to persons, read and understand all instructions included in this manual. Be familiar with the controls and the proper usage of the equipment.

► This product is intended for household use only.

   **Warning! Fire or explosion hazard.** Solvent and spray material fumes can explode or ignite. Severe injury or property damage can occur.

**To avoid these risks, take the following preventions:**

► Exhaust and fresh air introduction must be provided to keep the air within the spray area free from accumulation of flammable vapors.

► Avoid all ignition sources such as static electricity sparks, open flames, pilot lights, hot objects, lit tobacco products, and sparks from connecting and disconnecting power cords or working light switches.

► Fire extinguisher equipment shall be present and working.

► Keep area clean and free of paint or solvent containers, rags, and other flammable materials.

► Follow the material and solvent manufacturer's safety precautions and warnings.

► Do not spray flammable or combustible materials near an open flame or sources of ignition such as lit tobacco products, motors, and



electrical equipment.

▶ Know the contents of the spray materials and their cleaning solvents. Read all Material Safety Data Sheets (MSDS) and container labels provided with the spray materials and solvents. Follow the spray material and solvent manufacturer's safety instructions.

▶ Do not use materials with a flashpoint higher than 60°C (140°F). Flashpoint is the temperature that a fluid can produce enough vapors to ignite (see coating supplies).



**Warning! Explosion hazard due to incompatible materials.** Severe injury or property damage can occur.

**To avoid these risks, take the following precautions:**

- ▶ Do not use bleach.
- ▶ Do not use halogenated hydrocarbon solvents such as methylene chloride and 1,1,1-trichloroethane. They are not compatible with aluminum and may cause an explosion. If you are unsure of a material's compatibility with aluminum, contact your coating supplier.



**Warning! Hazardous vapors.** Spray materials, solvents, and other materials can be harmful if inhaled or come in contact with the body. Vapors can cause severe nausea, fainting, or poisoning.

**To avoid these risks, take the following precautions:**

- ▶ Use a respirator or mask if vapors can be inhaled.

Read all instructions supplied with the mask to be sure it will provide the necessary protection.

- ▶ Wear protective eyewear.
- ▶ Wear protective clothing as required by coating manufacturer.



**Warning! Electric shock hazard.** May cause severe injury.

**To avoid these risks, take the following precautions**

▶ Keep electrical cord plug and sprayer trigger free from spray material and other liquids. Never hold cord at plug connections to support cord. Failure to observe may result in an electrical shock.

▶ Never immerse electrical parts in water or any other liquid. Wipe the exterior of the sprayer with a damp cloth for cleaning. Always make sure the sprayer is unplugged before taking it apart for cleaning.

▶ Do not expose unit to rain or wet conditions.

▶ Do not abuse the cord. Never use the cord to carry the unit or pull the plug from an outlet. Keep cord away from heat, oil, sharp edges or moving parts. Replace damaged cords immediately.

## GENERAL SAFETY WARNINGS


**Warning! General.** To Reduce the risk of severe injury or property damage.

**To avoid these risks, take the following precautions:**

- ▶ Do not aim the gun at, or spray any person, including self, or animal.
- ▶ Do not spray outdoors on windy days
- ▶ Wear protective clothing to keep spray material off skin and hair.
- ▶ Hose may become hot and cause skin burn.
- ▶ Follow all appropriate local, state, and national codes governing ventilation, fire prevention, and operation.
- ▶ Always use appropriate gloves, eye protection and a respirator or mask when spraying, thinning, mixing, pouring, or cleaning.
- ▶ Do not operate or spray near children. Keep children away from equipment at all times. Keep sprayer out of the reach of children.
- ▶ Do not overreach or stand on an unstable support. Keep effective footing and balance at all times.
- ▶ Stay alert and watch what you are doing.

- ▶ Do not operate the unit when fatigued or under the influence of drugs or alcohol.
- ▶ Read all instructions and safety precautions for equipment and spray material before operating any equipment.
- ▶ Hearing protection is recommended for extended use.

**ELECTRICAL SAFETY**

 This tool is double insulated; therefore no earth wire is required. Always check that the power supply corresponds to the voltage on the rating plate.

▶ If the supply cord is damaged, it must be replaced by the manufacturer or an authorised Service Centre in order to avoid a hazard.

▶ When using the tool outdoors, only use extension cables intended for outdoor use. A suitable rated extension cable of up to 30 meters can be used without loss of power.

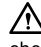
▶ Electric safety can be further improved by using a high sensitivity.

**EXTENSION CORD**

Use only a 3-blade grounding plug and a 3-pole receptacle that will accept the plug on the product. Make sure your extension cord is in good condition. When using an extension cord, be sure to use one heavy enough to carry the current your product will draw. An undersized cord will cause a drop in line voltage resulting in loss of power and overheating. If an extension cord is to be used outdoors, it must be marked with the suffix W-A after the cord type designation. For example, a designation of SJTW-A would indicate that the cord would be appropriate for outdoor use. For proper size cords see chart.

Guide for extension cord usage:


Type of cable	Up to 5 metres	from 5 to 10 metres
Paralel	2x 1.0 mm <sup>2</sup>	2x 1.5 mm <sup>2</sup>


 **Warning!** Some spray materials contain chemicals known to the State of California to cause cancer, birth defects or other reproductive harm. To reduce your exposure wear appropriate safety equipment such as face masks, gloves, and other appropriate protective equipment. Please review and follow the safety precautions on the paint container.

**FEATURES (Fig. A, Fig. A1, Fig. A2 )**

1. Spray gun unit
2. Power unit
3. Smart nozzle selector
4. Tip collar
5. Air cap
6. Nozzle (Φ2.0mm/Φ2.5mm/Φ3.0mm)
7. Y-type seal ring
8. Spray width lever
9. Spray tip
10. Spray unit housing
11. Trigger
12. Quick refill lid
13. Sealing liner
14. O-ring
15. Pickup tube
16. Check valve assembly
  - 16.1 Check valve sleeve 1
  - 16.2 Check valve
  - 16.3 Spring
  - 16.4 Check valve sleeve 2
  - 16.5 Valve extension
17. Canister
18. Flow control knob
19. Quick release lock
20. Switch trigger lever
21. Hanging hook
22. Filter
23. Filter cover
24. Viscosity cup
25. Cleaning needle
26. Cleaning brush
27. Spray tip key

## SET - UP

 **Warning!** Be sure to use appropriate protective gear and unplug unit.

 **Warning!** Make sure area is well ventilated and free of flammable vapors.

### Aligning the pickup tube (Fig. B)

The pickup tube (#15) needs to be aligned in the direction toward the front of the canister ( Fig. B). This will ensure you spray as much material as possible before you need to refill.

**Make sure the pickup tube is assembled tight in place.**

### Attaching spray unit to spray gun handle (Fig. C)


Align the marking line on the spray unit with the icon of unlock, then rotate the spray gun handle clockwise until stop. Rotate the quick release lock (#19) and snap onto the hook on the edge of canister lid.

### Liquid material preparation (Fig. E and E1)

**Tip:** Make sure the type of material you use can be cleaned with either mineral spirits or paint thinner (for oil-based paints) or a warm water and soap solution (for water soluble paints like latex). Use drop cloths during pouring, mixing, and viscosity testing of materials to be sprayed to protect your floors and anything else in the spraying area that you wish to remain untouched



The liquid being sprayed may need to be thinned (diluted) before starting. When thinning, use the proper liquid thinner recommended on the container by the material manufacturer..

 **Warning!** Do not use materials with a flashpoint higher than 60°C (140°F) .

A viscosity test cup is provided to determine the "runout time" of the material being used.

▶ Before measuring for the proper viscosity, stir the material thoroughly.

▶ Dip the viscosity cup into the material being sprayed and fill the cup completely.

▶ With the cup held over the material container, measure the amount of time it takes for the stream of material flowing out to "break" or stop being a constant stream out of the bottom of the cup ( 70 seconds or less) (Fig. E). This is the "runout time". Refer to the thinning table for information on the thinning required for different materials.

▶ If material needs thinning, add the appropriate liquid, thinning material recommended by the manufacturer (Fig. E1).

▶ It is possible to spray latex paint with this unit, however, the required thinning may exceed material manufacturer's recommendation. Thin latex paint so that it runs through viscosity cup within 70 seconds. The operator should consider the type of application and final location of the project when spraying a material that requires more than 70 seconds to run through the viscosity cup.

- ▶ Unscrew the quick refill lid (#17).

## OPERATION

THINNING TABLE	
SPRAY MATERIAL	RUNOUT TIME
Clear and semi-transparent stains and sealers Oil based primers, varnishes and polyurethane	No thinning required (Less than 70 seconds runout)
Solid color water based stains Water based or latex paints	May require thinning (More than 70 seconds runout)
Note: Not recommended for textured paint	

### PREPARATION TIPS

- ▶ Always stir and strain the material thoroughly before use.
- ▶ With any spraying job you should always ensure that you have properly prepared the surface to get the best finish. That is, all surfaces are free from dust, dirt, rust and grease. Lightly pressure wash decks or exterior surfaces and ensure that they are dry before spraying.
- ▶ Even though HVLP sprayers have very little overspray, it is recommended that you mask all edges and other areas and use drop cloths to protect your floors and anything else in the spraying area that you wish to remain untouched.
- ▶ Skin that forms on the top of paint can clog the sprayer. Remove skin before mixing. Strain with a funnel with a filter attached or through hosiery to remove any impurities that could clog system.
- ▶ Before starting have gloves, paper towels, rags etc. available for unexpected spills.

### FILLING THE CANISTER (Fig. F)

- ▶ Check to make sure that the canister is completely screwed onto the sprayer.
- ▶ Unscrew the quick refill lid (#12)
- ▶ Stand the sprayer firmly on a smooth and horizontal surface
- ▶ Pour the properly thinned and strained material to be sprayed into the canister (**Fig. F**).
- ▶ Clean any residual liquid from the threads or sides of the canister and sprayer.
- ▶ Starting the threads evenly, screw the lid completely onto the top fill canister. Check the lid to make sure it is threaded on squarely and completely before picking up the sprayer.

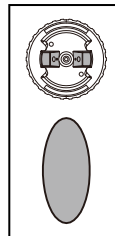
### ON / OFF SWITCH (Fig. G)

Squeeze to press the trigger (#11), trigger will actuate the switch inside the tool by the switch trigger lever (#20) to turn on the tool. Release the trigger to turn off the tool.

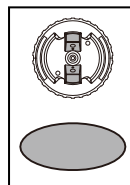
### SMART SELECT NOZZLE SELECTION (Fig. H, Fig. H1)

There are three spray patterns to choose from:

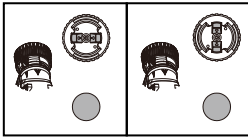
- Vertical Flat Jet
- Horizontal Flat Jet
- Circular Jet



To select **Vertical Flat Jet**, turn the air cap (#5) to horizontal direction by turning the smart nozzle selector (#3) clockwise until stop.



To select **Horizontal Flat Jet**, turn the air cap (#5) to vertical direction by turning the smart nozzle selector (#3) anti-clockwise until stop.



To select Circular Jet, turn the Spray Width Lever (#8) to the icon of Minimum.

**Note:** Spray nozzle can only be assembled in one direction that the notch of the nozzle(#6) must align with the skirt on spray unit housing(#10). Refer to **Fig. T1** for proper assembly.

**Warning!** Risk of injury. Never point the sprayer at any part of the body. Never pull the trigger while adjusting the spray setting.

**ADJUSTING WIDTH OF SPRAY PATTERN (Fig. H1)**

By turning the Spray Width Lever (#8) between the Minimum marking and Maximum marking, the width of the spray patterns can be adjusted accordingly.

Application	Spray Width Lever #8	Air Cap #5	Spray Jet Pattern
Initial coatings, corners, edges, and hard to reach locations			Small circular jet
Small-medium size surface			Vertical narrow jet for horizontal coating direction
			Horizontal narrow jet for vertical coating direction
Large size surface top coating			Vertical wide jet for horizontal coating direction
			Horizontal wide jet for vertical coating direction

**FLOW CONTROL KNOB (Fig. I)**

The flow control knob(#18 ) regulates the amount of liquid that can be sprayed. Turning the flow knob clockwise increases the flow of liquid. Turning the knob counter anti-clockwise decreases the flow of liquid.

**Tip:** Always test the spray pattern on scrap cardboard or similar material first. Begin with flow control knob on the highest flow setting. If less flow is desired, dial the flow control knob anti-clockwise to decrease the flow of liquid. Heavier, thicker materials should be sprayed with the flow control knob on high flow setting. Thinner materials should be sprayed with the flow control knob on low flow setting


**DEVELOPING THE PROPER  
SPRAYING TECHNIQUE**

- ▶ Practice spraying on a piece of scrap material such as cardboard to test your spray pattern and become familiar with the flow control feature of the sprayer.
- ▶ Ensure surface to be sprayed is free of dust, dirt, and grease.
- ▶ Ensure spray area is clean and free of dust that could be blown onto newly sprayed surfaces.
- ▶ Cover any areas not intended to be sprayed.
- ▶ Always spray from a minimum of 50mm to a maximum of 300mm (Fig. J).
- ▶ A commonly used method for spraying a large surface is the "crisscross" pattern. This is done by spraying in horizontal strips and then crossing over these strips with vertical strips (Fig. L).
- ▶ To get an even spray distribution, always keep your arm at the same distance (Fig. J) from the surface you are spraying and avoid moving your wrist (Fig. K).
- ▶ Maintain smooth and consistent speed which will help avoid inconsistencies. Begin spraying after the pass has begun and release trigger before stopping the pass.
- ▶ Avoid spraying too heavily in any one area. Several lighter coats are better than one heavy

coat which can lead to running and dripping. Remember that the flow control knob regulates the amount of liquid that can be sprayed. Turning the flow knob clockwise increases the flow of liquid. Turning the knob counterclockwise decreases the flow of liquid. If runs or drips do occur, have a dry paint brush on hand to smooth them out.

- ▶ Turn the power unit off and unplug the cord when not spraying for any length of time.

**CLEANING**

 **Warning!** Be sure to use appropriate protective gear.

- ▶ Do not use materials with a flashpoint higher than 60°C ( 140°F) . Flashpoint is the temperature that a fluid can produce enough vapors to ignite (see coating supplier).
- ▶ Make sure clean up area is well ventilated and free of flammable vapors.
- ▶ Always spray outdoors when spraying cleaning solution through sprayer.
- ▶ Do not submerge power unit.
- ▶ Use drop cloths during pouring, mixing, and viscosity testing of materials to be sprayed to protect your floors and anything else in the spraying area that you wish to remain untouched.
- ▶ To begin cleaning:
- ▶ Turn the power unit off, unplug the cord and disconnect air hose from sprayer.
- ▶ Unscrew the canister from the sprayer and pour any remaining liquid back into the original container (Fig. M).
- ▶ Pour a small amount of the appropriate cleaning solution into the canister (Fig. N).
  - Warm soapy water for water based materials
  - Manufacturers recommended cleaning solution for oil based materials
- ▶ Screw on the canister back to the sprayer securely and vigorously shake the sprayer.
- ▶ Unscrew the canister and properly dispose of

cleaning solution.

▶ Refill the canister with a small amount of new cleaning solution (**Fig. N**). Screw on the canister back the sprayer.

Reattach the spray gun unit to the power unit, plug in the cord and turn on the power unit.

▶ Spray the cleaning solution through the sprayer onto scrap material for 2 to 3 seconds (**Fig. O**).

▶ Turn the power unit off, and unplug the cord.

▶ Unscrew the canister from the sprayer.

▶ Remove the o-ring(#14), pickup tube(#15), check valve (#16), and quick refill lid(#12) from the sprayer. Clean the parts with the cleaning brush in the appropriate cleaning solution (**Fig. P**).

**Note:** When removing the check valve, twist the check valve clockwise and then pull it out.(**Fig P1**)

▶ Unscrew the tip collar (#4) and remove all the parts of the spray nozzle(#3,#4,#5,#6,#7,#8) from the sprayer.

Remove the spray tip(#9) from the sprayer ( **Fig. Q1**). Clean all parts with the cleaning brush in the appropriate cleaning solution (**Fig. Q, Fig.Q1**). Be sure to clean around check valve with brush (**Fig. Q insert**).

▶ If using water based material, clean the sprayer by running water through pickup tube inlet as shown in Fig. R. If using oil based materials, clean pickup tube inlet with the appropriate cleaning solution.

Repeat until sprayer is completely clean.

▶ Dry all parts thoroughly.

▶ Properly dispose of cleaning solution.

▶ Place a drop of household oil into the inside of the sprayer from the hole for assembling the spray tip (**Fig. S**).

▶ Reassemble sprayer (**Fig. T**).

**Note:** Spray nozzle can only be assembled in one direction that the notch of the nozzle(#6) must align with the skirt on spray unit housing(#10). Refer to **Fig. T1** for proper assembly.


**Note:** The spray tip must be assembled in the sprayer with the bumps on the spray tip in vertical direction

**Note:** Assemble the pickup tube(#15) and check valve (#16) by firmly pushing them onto the inlet on the sprayer.

▶ Put all the accessories back into space.

## MAINTENANCE

Use only mild soap and damp cloth to clean the power unit. Never let any liquid get inside the power unit; never immerse any part of the power unit into a liquid.


 **Important!** To assure product **SAFETY** and **RELIABILITY**, repairs, maintenance and adjustment (other than those listed in this manual) should be performed by authorized service centers or other qualified service personnel, always using identical replacement parts.

The power unit contains A washable / reusable filter (#22). Check the filter before and after each use. If dirty, wash with warm water and allow to air dry before re-installing or replace if necessary. (**Fig. U1**)

▶ To check the filter,

Unscrew the screws on back of the filter cover (#23) and remove the filter cover(#23).

Remove the filter as shown in **Fig.U1** and inspect. Reassemble the filter and filter cover.


 **Important!** Never operate the power unit without the filter in place. Debris could be sucked in and interfere with the function of the power unit.

## STORAGE

Make sure unit is clean and dry before storing. Store unit indoors in a dry location. To prevent damage, wrap the electrical cord so that it is not crimped during storage.

## ACCESSORIES

Recommended accessories for use with your product are available from your local dealer or authorized service center.

 **Warning!** The use of any accessory not recommended for use with this product could be hazardous.

## PROTECTING THE ENVIRONMENT



Separate collection. This product must not be disposed of with normal household waste. Should you find one day that your product needs replacement, or if it is of no further use to you, do not dispose of it with household waste. Make this product available for separate collection.



Separate collection of used products and packaging allows materials to be recycled and used again. Re-use of recycled materials helps prevent environmental pollution and reduces the demand for raw materials. Local regulations may provide for separate collection of electrical products from the household, at municipal waste sites or by the retailer when you purchase a new product.



**TROUBLESHOOTING**

<b>TROUBLE! MATERIAL RUNS OR DRIPS.</b>	
<b>WHAT'S WRONG?</b>	<b>WHAT TO DO...</b>
Spraying too much material.	Reduce paint flow by turning material adjustment knob.
Spraying too slowly.	Increase speed of application.
Spraying too close.	Increase distance from surface.
Viscosity too thin.	Check dilution recommendation.
<b>TROUBLE! MATERIAL DRIPS FROM NOZZLE</b>	
<b>WHAT'S WRONG?</b>	<b>WHAT TO DO...</b>
Nozzle loose	Screw nozzle tight
Nozzle breaks	Change
Y-type seal ring of nozzle breaks	Change
Material accumulated /clog inside nozzle	Clean
<b>TROUBLE! TOO MUCH OVER SPRAY.</b>	
<b>WHAT'S WRONG?</b>	<b>WHAT TO DO...</b>
Sprayer too far from surface.	Reduce distance to surface.
Too much material being sprayed.	Reduce paint flow by turning flow control knob
<b>TROUBLE! LITTLE OR NO MATERIAL BEING RELEASED.</b>	
<b>WHAT'S WRONG?</b>	<b>WHAT TO DO...</b>
Spray nozzle/tip clogged.	Clean nozzles.
Y-type seal ring of nozzle missing	Add seal ring to nozzle and assemble in place
Pickup tube loose or clogged.	Check tube.
Canister loose	Screw canister tightly in place
Quick refill lid loose	Screw quick refill lid tight in place
Spray gun unit not fully attached to the power unit	Check attachment of spray gun unit
Flow control knob setting too low.	Increase flow control setting
Air inlet blocked	Clean or change air filter
Material too thick.	Thin material per manufacturer recommendation.

<b>TROUBLE! MATERIAL BEING SPRAYED IS SPLATTERING</b>	
<b>WHAT'S WRONG?</b>	<b>WHAT TO DO...</b>
Viscosity of material is too high.	Thin material per manufacturer recommendation.
<b>TROUBLE! ATOMIZATION IS TOO COARSE</b>	
<b>WHAT'S WRONG?</b>	<b>WHAT TO DO...</b>
Viscosity of material too high.	Thin material per manufacturer recommendation.
Flow control knob setting too high	Decrease flow control setting
Material accumulated /clog inside nozzle	Clean
Air inlet blocked	Clean or change air filter
Canister loose	Screw canister tightly in place
Quick refill lid loose	Screw quick refill lid tight in place
<b>TROUBLE! SPRAYER PULSATES.</b>	
<b>WHAT'S WRONG?</b>	<b>WHAT TO DO...</b>
Air filter clogged	Clean or change air filter
Material in canister almost empty.	Refill canister.
Canister loose	Screw canister tightly in place
Quick refill lid loose	Screw quick refill lid tight in place
<b>TROUBLE! SPRAY MATERIAL DOES NOT COVER PROPERLY</b>	
<b>WHAT'S WRONG?</b>	<b>WHAT TO DO...</b>
Flow control knob setting too low.	Increase flow control setting
Clearance to target area too large	Reduce spray distance
Too few spray paths sprayed over target area	Apply more spray paths sprayed over target area
Viscosity of material too high.	Thin material per manufacturer recommendation.

## **TERMS OF WARRANTY SERVICE**

1. This Warranty Certificate is the only document that confirms your right to free warranty service. Without presenting this certificate, no claims are accepted. In case of loss or damage, the warranty certificate is not restored.

2. The warranty period for the power tool is 12 months from the date of sale, during the warranty period the service department eliminates manufacturing defects and replaces parts that have failed due to the fault of the manufacturer free of charge. In the warranty repair, an equivalent operable product is not provided. Replaceable parts become property of service providers.

P.I.T. is not liable for any damage that may be caused by operation of the electric machine.

3. Only clean tool accompanied with the following duly executed documents: this Warranty Certificate, Warranty Card, with all fields filled out, bearing the stamp of the trade organization and the signature of the buyer, shall be accepted for warranty repair.

4. Warranty repair is not performed in the following cases:

- in the absence of a Warranty Certificate and a Warranty Card or their incorrect execution;
- with failure of both a rotor and a stator of the electric engine, charring or melting of primary winding of the welding machine transformer, charging or starting-charging device, with internal parts melting, burn down of electronic circuit boards;
- if a Warranty Certificate or a Warranty Card does not correspond to this electric machine or to the form established by the supplier;
- upon expiration of the warranty period;
- at attempts of opening or repair of the electric machine outside the warranty workshop; making constructive changes and lubrication of the tool during the warranty period, as evidenced, for example, by the creases on the spline parts of the fasteners of non-rotational parts.
- when using electric tools for production or other purposes connected with making a profit, as well as in case of malfunctions related to instability of the power network parameters exceeding the norms established by GOST;
- in the events of improper operation (use the electric machine for other than intended purposes, attachments to the electric machine of attachments, accessories, etc. not provided by the manufacturer);
- with mechanical damage to the case, power cord and in case of damages caused by aggressive agents and high and low temperatures, ingress of foreign objects in the ventilation grids of the electric machine, as well as in case of damage resulting from improper storage (corrosion of metal parts);
- natural wear and tear on the parts of the electric machine, as a result of long-term operation (determined on the basis of the signs of full or partial depletion of the specified mean life, great contamination, presence of rust outside and inside the electric machine, waste lubricant in the gearbox);
- use of the tool the purposes for other than specified in the operating instructions.
- mechanical damages to the tool;
- in the event of damages due to non-observance of the operating conditions specified in the instruction (see chapter "Safety Precautions" of the Manual).
- damage to the product due to non-observance of the rules of storage and transportation.

Preventive maintenance of electric machines (cleaning, washing, and lubrication, replacement of anthers, piston and sealing rings) during the warranty period is a paid service.

The service life of the product is determined by the manufacturer and is 2 years from the date of manufacture,

The owner is notified of any possible violations of the above terms of warranty service upon completion of diagnostics in the service center.

The owner of the tool entrusts the diagnostic procedure to be conducted in the service center in his absence.

Do not operate the electric machine when there are signs of excessive heat, sparking, or noise in the gearbox. To determine the cause of the malfunction, the buyer should contact the warranty service center.

Malfunctions caused by late replacement of carbon brushes of the engine are eliminated at the expense of the buyer.

5. The warranty does not cover:

- replacement of parts (accessories and furniture), for example: accumulators, disks, knives, drills, bores, cartridges, chains, sprockets, collet clamps, buses, tensioning elements and fasteners, trim tabs, pads of grinders and tape machines, etc.
- quick-wear parts, for example: carbon brushes, drive belts, glands, protective covers, guide rollers, guides/rails, rubber seals, bearings, timing belts and wheels, shafts, brake band, ratchet wheels and starter cables, piston rings, etc. Replacing them during the warranty period is a paid service.
- power cords, in case of insulation damage, power cords are subject to mandatory replacement without the consent of the owner (paid service),
- casing of machine.

**P.I.T. WARRANTY CERTIFICATE**

Product Name \_\_\_\_\_

Product Number

Place of Seal

Serial Number

Sale Date \_\_\_\_\_

Trade Organization Name \_\_\_\_\_

**Dear customer!**

Thank you for purchasing the P.I.T tool, and we hope that you will be satisfied with your choice. In the process of manufacturing the P.I.T tools pass multilevel quality control, if nevertheless your product will need maintenance, please contact the authorized P.I.T service centers.

**Attention!**

When buying, ask a seller to check the completeness and operability of the tool, to fill out the Warranty Certificate, the Warranty Card (the boxes shall be filled out by a seller) and to affix the seal of the trade organization in the Guarantee Certificate and the Warranty Card.

**Warranty**

By this Warranty Certificate, P.I.T. company guarantees the absence of defects of the production nature.

In the event any of the above defects are detected during the warranty period, the specialized P.I.T. service centers shall repair the product and replace the defective spare parts free of charge.

The warranty period for P.I.T. electric machines is 12 months from the date of sale.

**“The warranty maintenance terms acknowledged and accepted. The operability and completeness of the product are checked in my presence. No claims on quality and appearance.”**

Buyer’s Signature \_\_\_\_\_ Surname (legibly) \_\_\_\_\_

Phone \_\_\_\_\_

## ОБЩИЕ МЕРЫ БЕЗОПАСНОСТИ

- Всегда проверяйте соответствие напряжения сети питания напряжению, указанному на шильдике инструмента.
- Данное изделие имеет двойную изоляцию. Поэтому заземление не требуется.
- Регулярно проверяйте шнур питания и вилку на предмет повреждений. При необходимости заменить обратитесь к квалифицированному электрику.
- Немедленно выбрасывайте старый шнур питания или вилку после замены.
- Не рекомендуется использовать чрезмерно длинные удлинители шнура питания.
- Если Вы используете удлинитель на катушке, то он должен быть полностью размотан.
- Строжайше запрещается направлять сопло электрического распылителя на людей или животных. Избегайте распыления краски на кожу.
- Разрешается использовать краски и растворители, у которых температура возгорания не ниже 32°C.
- Работайте только в хорошо вентилируемых помещениях.
- Не рекомендуется эксплуатировать распылитель без раструба.
- Запрещается работать с распылителем в помещениях, где есть вероятность возгорания или взрыва.
- Рекомендуется внимательно изучить рабочее помещение на предмет возникновения опасности перед тем, как приступить к работе.
- Распыляемые краски могут быть опасны для жизни. Обязательно внимательно изучите маркировку на банке с краской.
- Во время работы обязательно наденьте защитные очки, а также малярную маску или респиратор.
- Рекомендуется работать в защитных наушниках.
- Следите за чистотой электрического распылителя, резервуара для краски и сопла.
- Запрещается распылять краску рядом с источниками огня.
- Строжайше запрещено курить в процессе работы.
- Внимательно прочтите рекомендации производителя краски по ее разбавлению.
- Перед тем, как заполнять резервуар для краски или чистить сопло, отключите изделие от сети питания.

### **Немедленно отключите электрический распылитель от сети, если:**

- Вы обнаружили поломки или неисправности в кабеле электропитания.
- При поломке выключателя.
- При появлении дыма или запаха горелой изоляции.

## РАСШИФРОВКА ДАТЫ ИЗГОТОВЛЕНИЯ ИЗДЕЛИЯ

Дата изготовления изделия зашифрована в серийном номере, напечатанном на корпусе инструмента. Первые 2 цифры обозначают год выпуска, следующие 2 цифры – месяц и следующие 2 цифры – день

№. 

1	7	0	7	3	0	0	3	9	5
---	---	---	---	---	---	---	---	---	---

  
          год  месяц  день

РИС.А

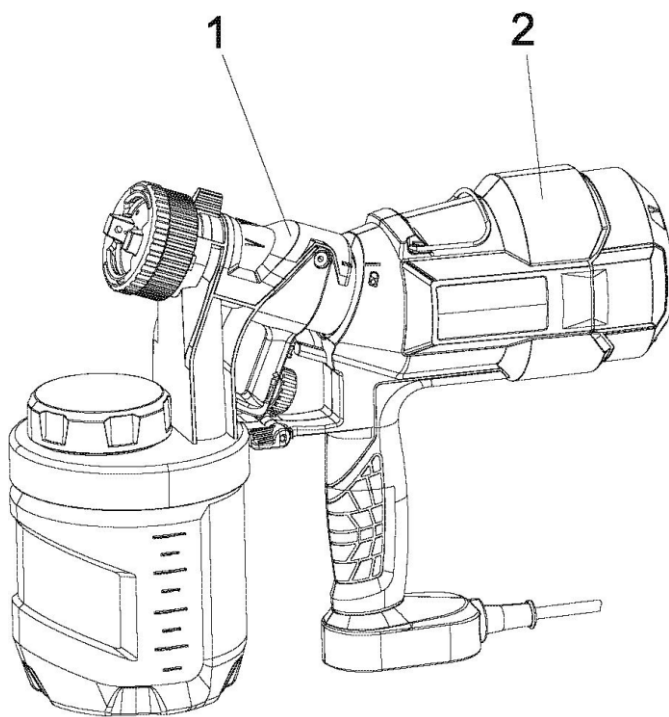


РИС.А1

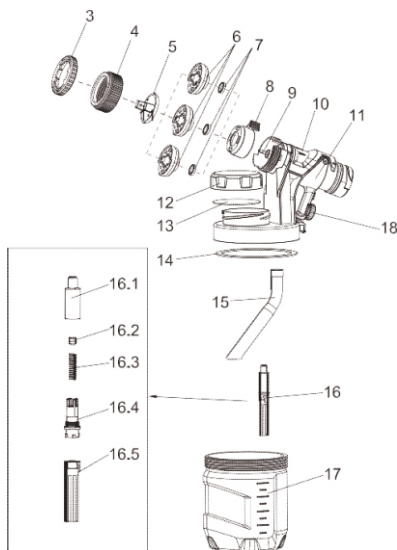


РИС.А2

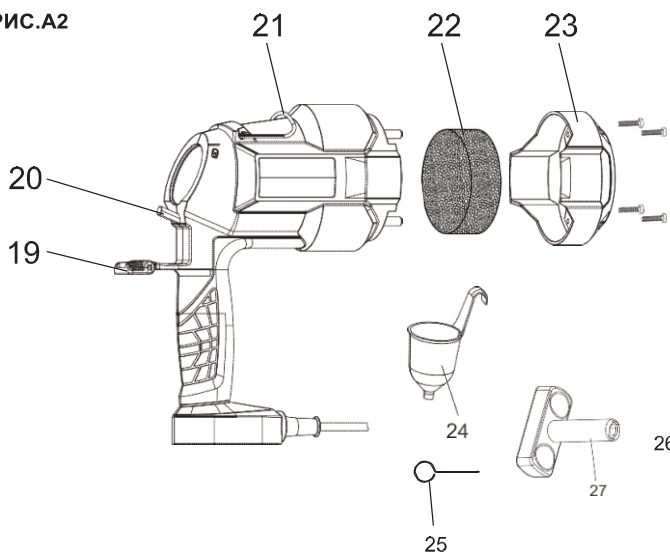


РИС.В

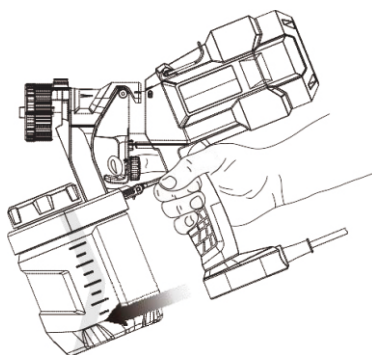


РИС.С

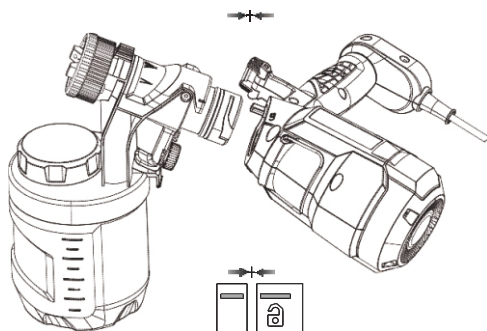


РИС.Д

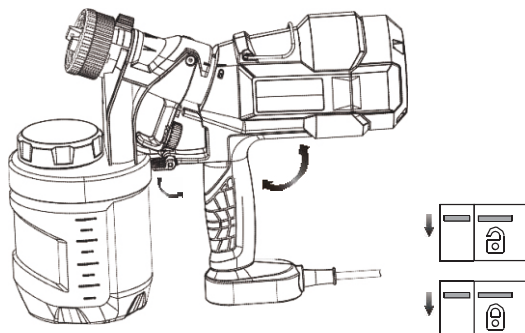




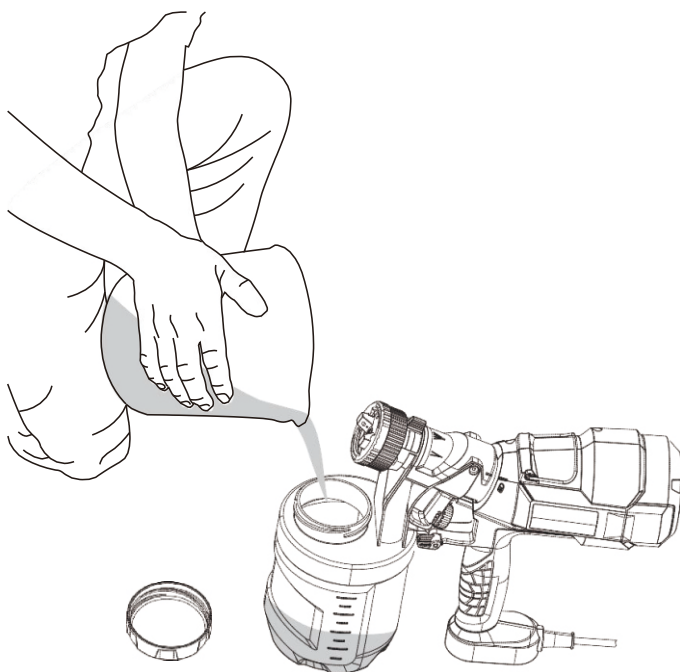
РИС.Е



РИС.Е1



РИС.Ф



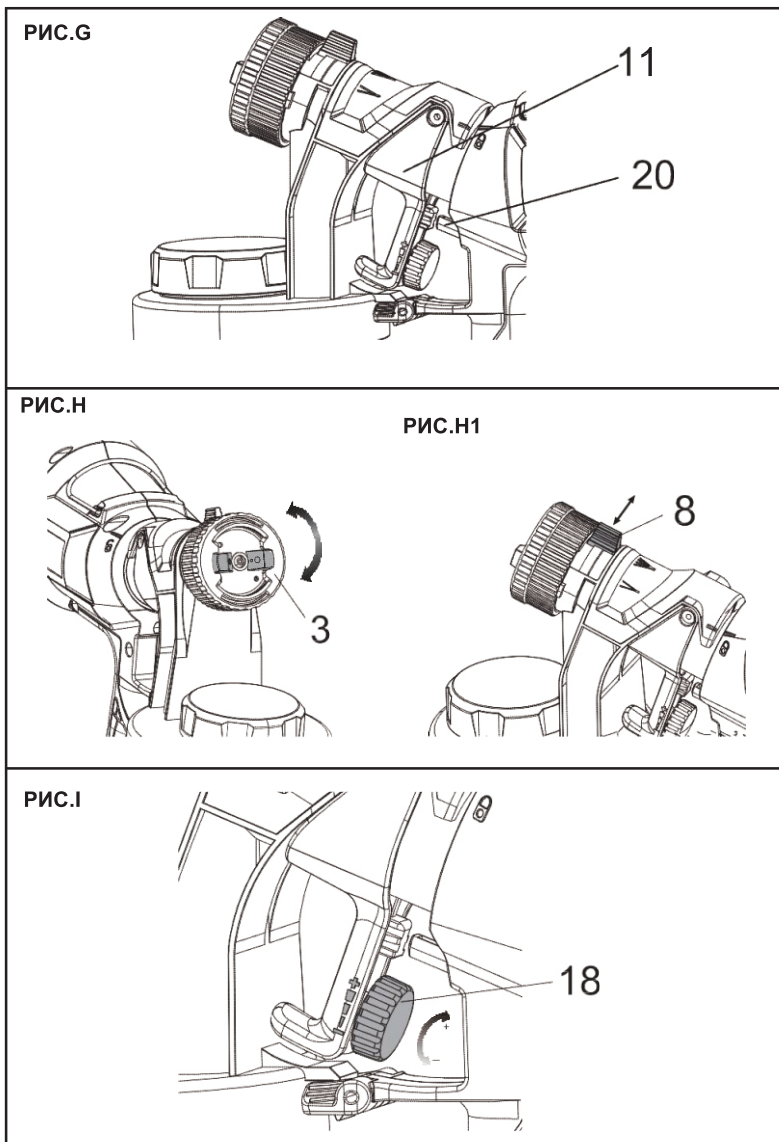


РИС. J

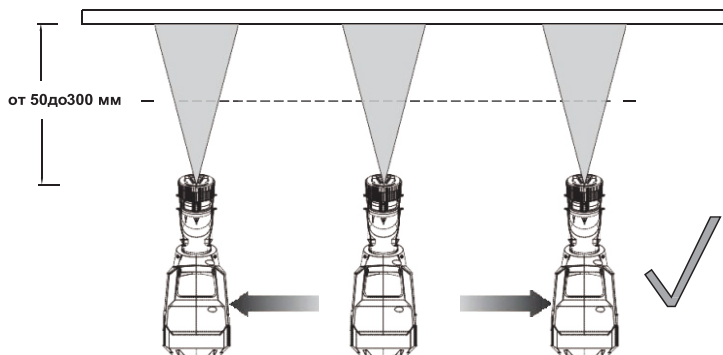


РИС. K

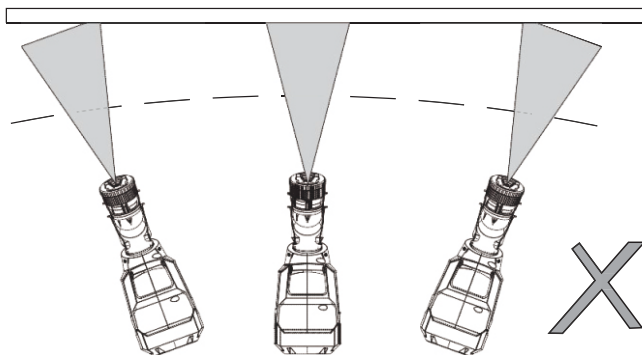


РИС. L

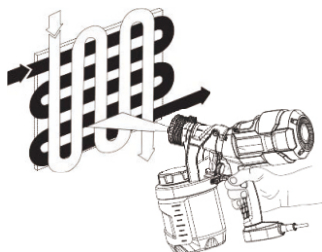


РИС.М

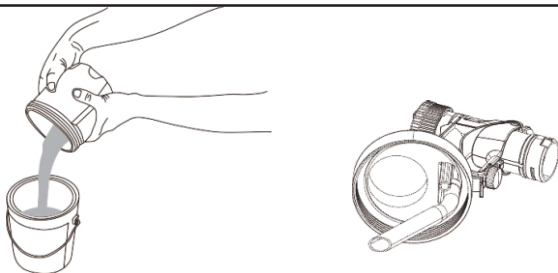


РИС.Н



РИС.О

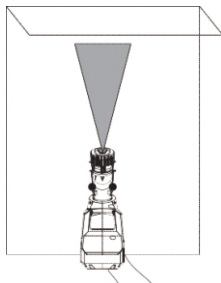


РИС.Р

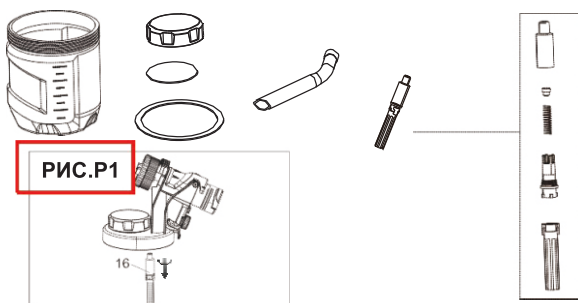


РИС. Q

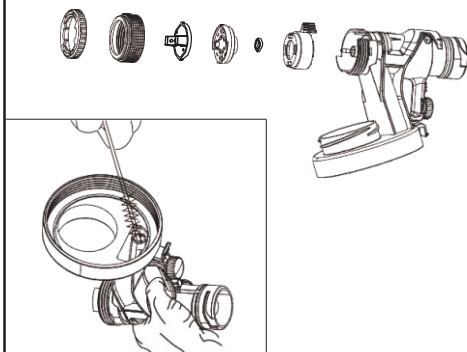


РИС. Q1

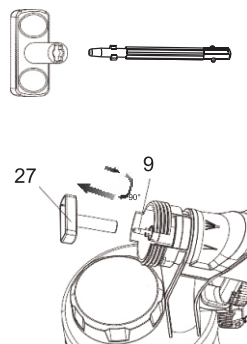


РИС. R

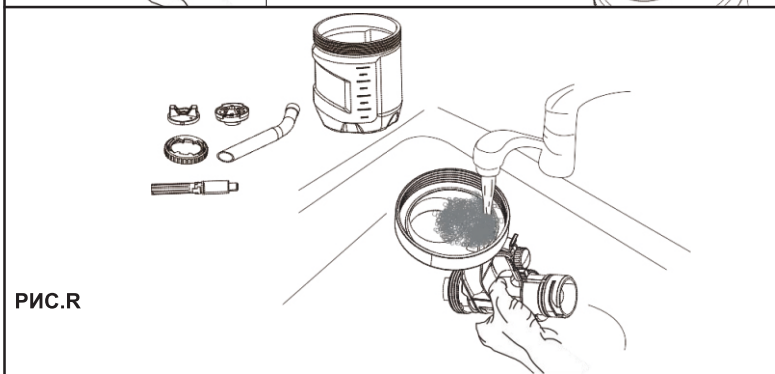
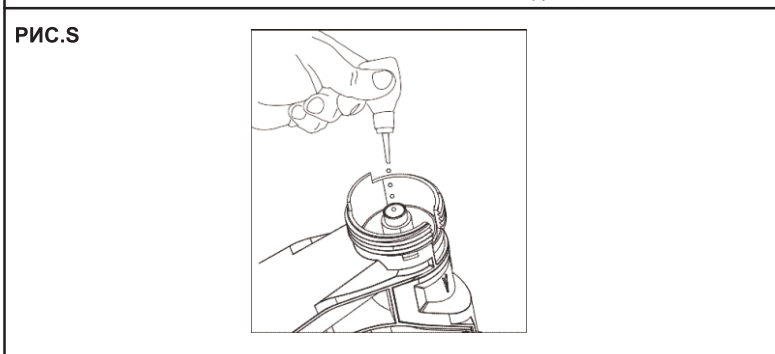
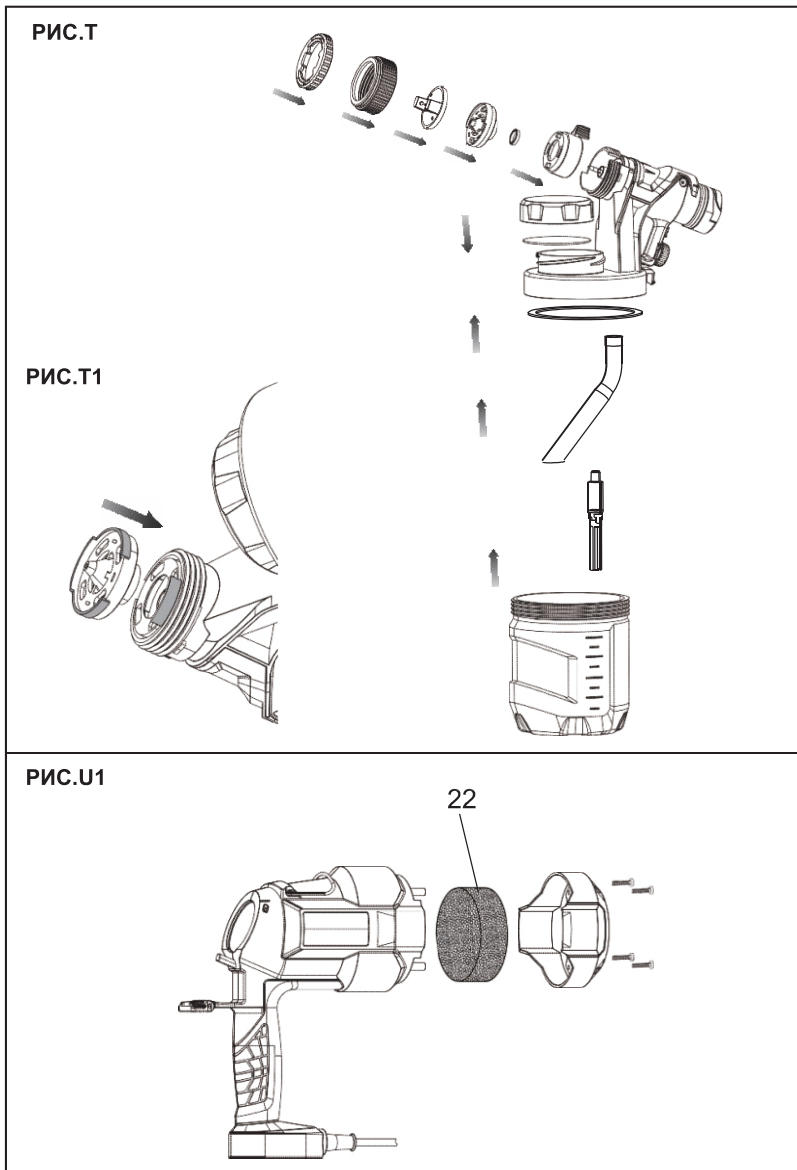


РИС. S





## ТЕХНИЧЕСКИЕ ДАННЫЕ

Номинальная мощность	500Вт
Расход воды	800 мл/мин
Максимальная вязкость	70DIN (время выбег: 100 секунд)
Размер насадки	Ф2.0 мм / Ф2.5 мм / Ф3.0 мм
Емкость канистры	900 мл

## РУКОВОДСТВО ПО БЕЗОПАСНОСТИ - ОПРЕДЕЛЕНИЯ

Важно прочитать и понять это руководство. Информация, содержащаяся в нем, касается защиты **ВАШЕЙ БЕЗОПАСНОСТИ** и **ПРЕДОТВРАЩЕНИЯ ПРОБЛЕМ**. Приведенные ниже символы используются для того, чтобы помочь вам понять эту информацию.



**Опасность!** Указывает на неизбежно опасную ситуацию, которая, если ее не избежать, приведет к смерти или серьезной травме.



**Предупреждение!** Указывает на потенциально опасную ситуацию, которая, если ее не избежать, может привести к смерти или серьезной травме.



**Внимание!** Указывает на потенциально опасную ситуацию, которая, если ее не избежать, может привести к незначительной или средней травме.



**Обратите внимание!** Символ, используемый без символа предупреждения, указывает на потенциально опасную ситуацию, которая, если ее не избежать, может привести к материальному ущербу.

Ниже приводятся пояснения к важным изображениям опасности для безопасности в этом руководстве.



Прочтите и поймите инструкцию по эксплуатации.



Пожароопасность.



Взрывоопасность.



Опасность для дыхания.



Опасность поражения электрическим током.

## ВАЖНЫЕ ИНСТРУКЦИИ ПО БЕЗОПАСНОСТИ

**СОХРАНИТЕ ЭТИ ИНСТРУКЦИИ:** Чтобы снизить риск возгорания или взрыва, поражения электрическим током и травмы людей, ознакомьтесь с инструкциями, прилагаемыми к настоящему руководству. Ознакомьтесь с элементами управления и надлежащим использованием оборудования.

► Это изделие предназначено только для домашнего использования.



**Предупреждение! Опасность пожара или взрыва.** Пары растворителя и аэрозоля могут взорваться или воспламениться. Возможны серьезные травмы или материальный ущерб.

**Чтобы избежать этих рисков, выполните следующие предупреждения:**

► Должно быть предусмотрено введение выхлопа и свежего воздуха, чтобы поддерживать воздух в зоне распыления от накопления легковоспламеняющихся паров.

► Избегайте всех источников воспламенения, таких как электростатический разряд, открытое пламя, контрольные лампы, горячие предметы, зажженные табачные изделия и искры от подключения и отсоединения шнуров питания или выключателей рабочего освещения.

► Оборудование огнетушителя должно присутствовать и работать.

► Участок должен быть чистым и не содержать контейнеров с краской или растворителем, тряпок и других легковоспламеняющихся материалов.

► Соблюдайте меры предосторожности и предупреждения изготовителя материала и изготовителя растворителя.

► Не распыляйте легковоспламеняющиеся или горючие материалы вблизи открытого пламени или источников воспламенения, например, зажженные табачные изделия, двигатели и электрооборудование.

► Знайте содержимое распыляемых материалов и их очищающих растворителей. Прочтите все паспорта безопасности материалов (MSDS) и этикетки на контейнерах с материалами для распыления и растворителями. Соблюдайте инструкции по безопасности распылителя и изготовителя растворителя.

► Не используйте материалы с температурой воспламенения выше 60°C (140°F). Температура воспламенения - это температура, при которой жидкость может образовывать достаточное количество паров для воспламенения (см. Расходные материалы для распыления).



**Предупреждение! Взрывоопасность из-за несовместимых материалов.** Возможны серьезные травмы или материальный ущерб.

**Чтобы избежать этих рисков, выполните следующие меры предосторожности:**

► Не используйте отбеливатель.

► Не используйте галогенированные углеводородные растворители, такие как метилхлорид и 1,1,1-трихлорэтан. Они не совместимы с алюминием и могут вызвать взрыв. Если Вы не уверены в совместимости материала с алюминием, обратитесь к поставщику покрытий.



**Предупреждение! Опасные пары.**

Распылительные материалы, растворители и другие материалы могут быть вредными при вдыхании или при контакте с телом. Пары могут вызывать сильную тошноту, обморок или отравление.

**Чтобы избежать этих рисков, выполните следующие меры предосторожности:**

► Используйте респиратор или маску, если пары можно вдохнуть.

Прочтите все инструкции, прилагаемые к маске, чтобы убедиться, что она обеспечит необходимую защиту.

► Наденьте защитные очки.

► Носите защитную одежду по требованию производителя покрытия.



**Предупреждение! Опасность поражения электрическим током.** Может вызвать серьезную травму.

**Чтобы избежать этих рисков, выполните следующие меры предосторожности:**

► На вилке сетевого шнура и распылителе не должно быть распыляемого материала и других жидкостей. Никогда не держите шнур на штепсельных соединениях для поддержки шнура. Несоблюдение этих правил может привести к поражению электрическим током.

► Никогда не погружайте электрические детали в воду или другую жидкость. Протрите внешнюю поверхность распылителя влажной тканью для очистки. Всегда следите за тем, чтобы распылитель был отсоединен, прежде чем разбирать его для очистки.

► Не подвергайте устройство воздействию дождя или влажности.

► Избегайте неправильного применения шнура. Никогда не используйте шнур для переноски инструментов. Не используйте шнур, чтобы вытащить вилку из розетки. Шнур должен находиться вдали от тепла, масла, острых краев или движущихся частей. Немедленно замените поврежденные шнуры.

## ОБЩИЕ ПРЕДУПРЕЖДЕНИЯ О БЕЗОПАСНОСТИ



**Предупреждение! Общее.** Уменьшить риск серьезной травмы или материального ущерба.

**Чтобы избежать этих рисков, выполните следующие меры предосторожности:**

► Не направляйте распылитель или распыляйте на людей, включая себя или животных.

► Не распылять на открытом воздухе в ветреные дни

► Наденьте защитную одежду, чтобы распыляемый материал не попадал на кожу и волосы.

► Шланг может стать горячим и вызвать ожог кожи.

► Соблюдайте все местные, государственные и национальные правила, регулирующие предотвращение и эксплуатацию системы вентиляции.

► Всегда используйте соответствующие перчатки, средства защиты глаз и респиратор или маску при распылении, разбавлении, смешивании, заливке или чистке.

► Не используйте и не распыляйте вблизи детей. Держите детей подальше от оборудования в любое время. Храните распылитель в недоступном для детей месте.

► Не допускайте чрезмерной нагрузки или не ставьте на неустойчивую опору. Поддерживайте эффективную опору и равновесие в любое время.

► Будьте внимательны и следите за тем, что Вы делаете.



- ▶ Не используйте устройство, если Вы устали или находитесь под воздействием наркотиков и алкоголя.
- ▶ Перед эксплуатацией любого оборудования прочитайте все инструкции и меры предосторожности для оборудования и материалов для распыления.
- ▶ Для длительного использования рекомендуются средства защиты органов слуха.

## ЭЛЕКТРИЧЕСКАЯ БЕЗОПАСНОСТЬ



Этот инструмент имеет двойную изоляцию; поэтому заземляющий провод не требуется. Всегда проверяйте, соответствует ли напряжение источнику питания на заводской табличке.

- ▶ Если шнур питания поврежден, его должен заменить у изготовителя или в авторизованном сервисном центре во избежание опасности.
- ▶ При использовании инструмента на открытом воздухе используйте только удлинительные кабели, предназначенные для наружного использования. Подходящий удлинительный кабель длиной до 30 м может использоваться без потери мощности.
- ▶ Электрическая безопасность может быть дополнительно улучшена за счет высокой чувствительности.

## ШНУР-УДЛИНИТЕЛЬ

Используйте только вилку с заземлением с 3-мя штырями и 3-х гнездовую розетку, которые будут подключать вилку к изделию. Убедитесь, что удлинитель находится в хорошем состоянии. При использовании удлинительного шнура обязательно убедитесь, что он подходит для тока Вашего изделия. Низкий шнур приведет к снижению линейного напряжения, что приведет к потере мощности и перегреву. Если удлинительный шнур должен использоваться на открытом воздухе, он должен быть отмечен суффиксом W-A после обозначения типа шнура. Например, обозначение SJTW-A указывает на то, что шнур подходит для использования на открытом воздухе. Для правильных размеров шнуров см. Диаграмму.

Руководство по использованию удлинителя:

Тип кабеля	До 5 метров	от 5 до 10 метров
Параллельный	2x1.0мм <sup>2</sup>	2x1.5мм <sup>2</sup>


**⚠ Предупреждение!** Некоторые материалы для распыления содержат химические вещества, которые могут вызывать рак, врожденные дефекты или наносить другой репродуктивный вред. Для снижения воздействия используйте соответствующее оборудование для обеспечения безопасности, такое как маски для лица, перчатки и другое подходящее защитное оборудование.


Проверьте и соблюдайте меры предосторожности на контейнере для красок.

### ДЕТАЛИ(Рис.А, Рис.А1, Рис.А2)

1. Блок распылителя
2. Блок питания
3. Интеллектуальный переключатель насадок
4. Выступ наконечника
5. Воздушная головка
6. Насадка (Ф2.0 мм/Ф2.5 мм/Ф3.0 мм)
7. Уплотнительное кольцо Y-типа
8. Рычаг ширины распылителя
9. Наконечник распылителя
10. Корпус распылителя
11. Спусковой крючок
12. Крышка для быстрого наполнения
13. Уплотнительная прокладка
14. Уплотнительное кольцо
15. Передающая трубка
16. Обратный клапан
  - 16.1 Втулка обратного клапана 1
  - 16.2 Обратный клапан
  - 16.3 Пружина
  - 16.4 Втулка обратного клапана 2
  - 16.5 Расширение клапана
17. Контейнер
18. Ручка расхода
19. Фиксатор быстрой блокировки
20. Переключатель спускового крючка
21. Подвесной крючок
22. Фильтр
23. Крышка фильтра
24. Чашечный вискозиметр
25. Игла для очистки
26. Щетка для очистки
27. Клапан распылителя

## НАСТРОЙКА

 **Предупреждение!** Обязательно используйте соответствующие защитные устройства и отсоедините прибор.

 **Предупреждение!** Убедитесь, что зона хорошо проветривается и не содержит легковоспламеняющихся паров.

### Выравнивание передающей трубки (Рис. В)

Передающую трубку (№ 15) необходимо выровнять по направлению к передней части контейнера (Рис. В). Это позволит Вам распылить как можно больше материала, прежде чем Вам нужно будет пополнить его.

Убедитесь, что передающая трубка собрана на месте.

### Присоединение распылителя к рукоятке распылителя (Рис. С)

Выровняйте разделительную линию на распылителе со значком разблокировки, затем поверните ручку распылителя по часовой стрелке до упора. Поверните фиксатор быстрой блокировки (№ 19) и защелкните крючок на краю крышки контейнера.

### Совет для подготовки жидкого материала (Рис. Е и Е1)

Убедитесь, что тип материала, который Вы используете, можно очистить либо уайт-спиритами, либо разбавителем краски (для масляных красок), либо теплой водой и мыльным раствором (для водорастворимых красок, таких как латекс). Используйте куски материи во время заливки, смешивания и испытания на вязкость материалов, подлежащих распылению, для защиты Ваших полов и всего остального в области распыления, которую Вы хотите оставить нетронутой.



Распыляемую жидкость, возможно, необходимо разбавить (разжижить) перед запуском. При разбавлении используйте подходящий разбавитель для жидкости, рекомендованный на контейнере производителем материала.



**Предупреждение!** Не используйте материалы с температурой воспламенения выше 60°C (140°F).

Для определения «времени выбега» используемого материала предлагается чашечный вискозиметр.

► Перед измерением необходимой вязкости тщательно перемешайте материал.

► Опустите чашечный вискозиметр в распыляемый материал и полностью заполните вискозиметр.

► Если вискозиметр удерживается над контейнером для материала, измерьте время, необходимое для того, чтобы поток материала мог остановить постоянный поток из нижней части вискозиметра (70 секунд или менее) (Рис. Е).

Это «время выбега». Для получения информации о разбавлении, требуемом для различных материалов, обратитесь к таблице разбавления.

► Если материал нуждается в разбавлении, добавьте соответствующую жидкость, прореживающий материал, рекомендованный производителем (Рис. Е1).

► Можно распылять латексную краску, используя это устройство, однако требуемое разбавление может превышать рекомендацию производителя материала. Тонкая латексная краска, чтобы она проходила через вискозиметр в течение 70 секунд. Оператор должен рассмотреть тип применения и окончательное расположение объекта при распылении материала, который требует более 70 секунд для прохождения через вискозиметр.

- ▶ Отвинтите крышку для быстрого наполнения (№17)

## ЭКСПЛУАТАЦИЯ

ТАБЛИЦА НОРМ РАЗБАВЛЕНИЯ	
РАСПЫЛЯЕМЫЙ МАТЕРИАЛ	ВРЕМЯ ВЫБЕГА
Прозрачные и полупрозрачные пасты и герметики Масляная грунтовка, лаки и пластик на основе	Разбавление не требуется (менее 70 секунд выбега)
Однотонные пасты на водной основе Краски на водной основе или латексные краски	Требуется разбавление (более 70 секунд выбега)
Примечание: Не рекомендуется для текстурированной краски	

### СОВЕТЫ ПРИ ПОДГОТОВКЕ

- ▶ Всегда тщательно перемешивайте и процеживайте материал перед использованием.
- ▶ При выполнении любой задачи Вы всегда должны убедиться, что Вы правильно подготовили поверхность, чтобы получить наилучшую отделку. То есть на всех поверхностях нет пыли, грязи, ржавчины и жира. Промойте платформу или внешние поверхности струей воды и убедитесь, что они сухие перед распылением.
- ▶ Несмотря на то, что распылители низкого давления с высоким потреблением сжатого воздуха имеют очень небольшое избыточное распыление, рекомендуется покрыть все края и другие области и использовать куски материи для защиты полов и всего остального в области распыления, которые Вы хотите оставить нетронутыми.
- ▶ Корка, образующаяся на краске, может засорить распылитель. Удалите корку перед перемещением. Прочедите, используя воронку с прикрепленным фильтром или через трикотажные изделия для удаления любых загрязнений, которые могут засорить систему.
- ▶ Перед запуском перчатки, бумажные полотенца, тряпки и т. д. должны находиться рядом в случае неожиданных разливов.

### ЗАПОЛНЕНИЕ КОНТЕЙНЕРА (РИС. F)

- ▶ Убедитесь, что контейнер полностью навинчен на распылитель.
- ▶ Отвинтите крышку для быстрого наполнения (№12)
- ▶ Поставьте распылитель надежно на гладкой и горизонтальной поверхности
- ▶ Налейте надлежащим образом разбавленный и процеженный материал, который должен быть распылен, в контейнер (Рис. F).
- ▶ Очистите остатки жидкости с резьбы или боковых сторон контейнера и распылителя.
- ▶ Полностью прикрутите крышку в верхний контейнер. Проверьте крышку, она прикручена полностью, прежде чем поднимать распылитель.

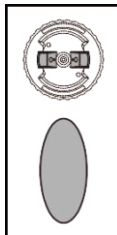
### КНОПКА ВКЛЮЧЕНИЯ/ВЫКЛЮЧЕНИЯ (Рис. G)

Сжимайте, чтобы нажать спусковой крючок (№ 11), спусковой крючок активирует переключатель внутри инструмента с помощью рычага спускового крючка (№ 20), чтобы включить инструмент. Отпустите спусковой крючок, чтобы выключить инструмент.

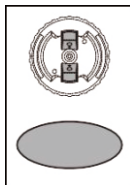
### ВЫБОР ИНТЕЛЛЕКТУАЛЬНОГО ПЕРЕКЛЮЧАТЕЛЯ НАСАДОК (Рис. H, Рис. H1)

Можно выбрать три формы струи:

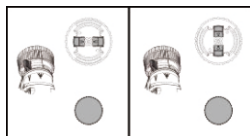
- Вертикальная плоская струя
- Горизонтальная плоская струя
- Круговая струя



Чтобы выбрать **вертикальную плоскую струю**, поверните воздушную головку (№5) в горизонтальное положение, повернув интеллектуальный переключатель насадок (№ 3) по часовой стрелке до упора.



Чтобы выбрать **горизонтальную плоскую струю**, поверните воздушную головку (№5) в вертикальное положение, повернув интеллектуальный переключатель насадок (№ 3) против часовой стрелки до упора.











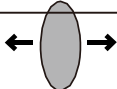


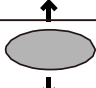



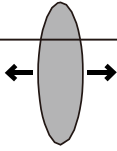


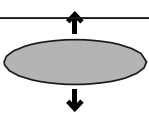
Чтобы выбрать круговую струю, поверните рычаг ширины распылителя (№ 8) до значка «минимум» («Minimum»).

**Примечание.** Распылительную насадку можно собрать только для одного направления, чтобы вырез насадки (№ 6) совпадал с краями на корпусе распылителя (№ 10). Для правильной сборки см. Рис. Т1.

**⚠ Предупреждение!** Опасность получения травмы. Никогда не направляйте распылитель на любую часть тела. Никогда не нажимайте спусковой крючок, регулируя настройку распыления.

### РЕГУЛИРОВКА ФОРМЫ СТРУИ (Рис. Н1)

Поворачивая рычаг ширины распыления (№8) между минимальной маркировкой и максимальной маркировкой, можно соответствующим образом отрегулировать ширину формы струи.

Применение Рычаг ширины распылителя №8 Воздушная головка №5 Форма струи			
<p>Основные покрытия, углы, края и труднодоступные места струя</p> 	  		<p>Небольшая круглая</p>
<p>Поверхность мало-среднего размера</p> 	 		<p>Вертикальная узкая струя для горизонтального направления покрытия</p>
	 		<p>Горизонтальная узкая струя для вертикального направления покрытия</p>
<p>Поверхностное покрытие большого размера</p> 	 		<p>Вертикальная широкая струя для горизонтального направления покрытия</p>
	 		<p>Горизонтальная широкая струя для вертикального направления покрытия</p>

**РУЧКА РАСХОДА(Рис. I)**

Ручка расхода (№ 18) регулирует количество жидкости, которую можно распылить. Поворот ручки расхода по часовой стрелке увеличивает поток жидкости. Поворот ручки против часовой стрелки уменьшает поток жидкости.

**Совет.** Всегда сначала проверяйте форму струи на картоне или аналогичном материале. Начните с ручки расхода при максимальной настройке потока. Если требуется меньше расхода, поверните ручку расхода против часовой стрелки, чтобы уменьшить поток жидкости. Более тяжелые, более толстые материалы необходимо обрызгивать при настройке большого расхода. Более тонкие материалы следует обрызгивать при настройке низкого расхода.

**РАЗРАБОТКА НАДЛЕЖАЩЕГО МЕТОДА РАСПЫЛЕНИЯ**

► Практикуйте распыление на куске бракованного материала, например картона, для проверки формы струи, и ознакомьтесь с функцией контроля потока распылителя.

► Убедитесь, что поверхность, на которую будут распылять краску, не содержит пыли, грязи и жира.

► Убедитесь, что область распыления чистая и не содержит пыли, которая может попасть на обрызганные поверхности.

► Накройте все участки, не предназначенные для распыления.

► Всегда распыляйте от 50 мм до 300 мм (Рис. J).

► Обычно используемым методом распыления большой поверхности является «крест-накрест». Это делается путем распыления горизонтальными полосами, а затем пересечения этих полос с помощью вертикальных полос. (Рис. L)

► Чтобы получить равномерное распределение, всегда держите руку на одном и том же расстоянии (Рис. J) от поверхности, на которую Вы распыляете, и не двигайте запястьем (Рис. K).

► Сохраняйте плавную и последовательную скорость, которая поможет избежать несоответствий. Начните распыление после того, как проход начался, и отпустите спусковой крючок до остановки прохода.

► Избегайте чрезмерного распыления в любой области. Несколько более легких слоев лучше, чем один тяжелый слой, который может привести к вытеканию и капанию.

Помните, что ручка расхода регулирует количество жидкости, которую можно распылить. Поворот ручки расхода по часовой стрелке увеличивает поток жидкости. Поворот ручки против часовой стрелки уменьшает поток жидкости. Если происходит вытекание или появились капли, необходимо использовать сухую малярную кисть, чтобы сгладить все неровности.

► Выключите блок питания и отсоедините шнур питания, если он не работает в течение какого-либо времени.

**ОЧИСТКА**

**⚠ Предупреждение!** Обязательно используйте соответствующие защитные устройства.

► Не используйте материалы с температурой воспламенения выше 60°C (140°F). Температура воспламенения – это температура, при которой жидкость может образовывать достаточное количество паров для воспламенения (см. Расходные материалы для покрытия).

► Удостоверьтесь, что зона очистки хорошо проветривается и не содержит легковоспламеняющихся паров.

► Всегда распыляйте на открытом воздухе в случае распыления очищающего раствора через распылитель.

► Не погружайте блок питания в воду.

► Используйте куски материи во время заливки, смешивания и испытания на вязкость материалов, подлежащих распылению, для защиты Ваших полов и всего остального в области распыления, которую Вы хотите оставить нетронутой.

► Для начала очистки:

► Выключите блок питания, отсоедините шнур и отсоедините шланг для воздуха от распылителя.

► Отвинтите контейнер от распылителя и вылейте оставшуюся жидкость обратно в исходный контейнер (Рис. M).

► Налейте небольшое количество подходящего очищающего раствора в контейнер (Рис. N).

- Теплая мыльная вода для материалов на водной основе

- Производители рекомендовали очищающий раствор для материалов на масляной основе

► Привинтите контейнер обратно на распылитель и энергично встряхните распылитель.

► Отвинтите контейнер и правильно утилизируйте очищающий раствор.

► Заполните контейнер небольшим количеством нового чистящего раствора (**Рис. N**). Вкрутите контейнер обратно в распылитель.

Прикрепите блок распылителя к блоку питания, вставьте шнур и включите блок питания.

► Распыляйте очищающий раствор через распылитель на бракованный материал в течение 2-3 секунд (**Рис. O**).

► Выключите блок питания и отсоедините шнур питания.

► Открутите контейнер от распылителя.

► Снимите уплотнительное кольцо (№ 14), передающую трубку (№15), обратный клапан (№ 16) и крышку для быстрого наполнения (№12). Очистите детали щеткой для очистки в соответствующем чистящем растворе (**Рис. P**).

**Примечание:** При снятии обратного клапана поверните обратный клапан по часовой стрелке, а затем вытащите его. (**Рис. P**)

► Отвинтите выступ наконечника (№ 4) и удалите все детали распылителя (№ 3, № 4, № 5, № 6, № 7, № 8). Снимите наконечник распылителя (№ 9) с распылителя (**Рис. Q1**). Очистите все детали с помощью щетки для очистки в соответствующем чистящем растворе (**Рис. Q, Рис. Q1**). Обязательно очищайте щеткой вокруг обратного клапана (**вставка на Рис. Q**).

► При использовании материала на водной основе очистите распылитель, пропустив воду через впускное отверстие для передающей трубки, как показано на **Рис. R**. Если вы используете материалы на основе масла, очистите впускное отверстие для трубки соответствующим чистящим раствором. Повторите, пока распылитель не станет полностью чистым.

► Тщательно высушите все детали.

► Правильно утилизируйте очищающий раствор.

► Поместите каплю домашнего масла внутрь распылителя через отверстие для сборки наконечника распылителя (**Рис. S**).

► Соберите распылитель (**Рис. T**).

**Примечание:** Распылительную насадку можно собрать только для одного направления, чтобы вырез насадки (№ 6) совпадал с краями на корпусе распылителя (№ 10). Для правильной сборки см. **Рис. T1**.

**Примечание:** Наконечник распылителя необходимо собирать в распылитель, ударяя распылительный наконечник в вертикальном направлении

**Примечание:** Соберите передающую трубку (№ 15) и обратный клапан (№16), проталкивая через впускное отверстие на распылителе.

► Установите все принадлежности..

## ТЕХНИЧЕСКОЕ ОБСЛУЖИВАНИЕ

Для очистки блока питания используйте только мягкое мыло и влажную ткань. Никогда не допускайте попадания жидкости внутрь блока питания; никогда не погружайте любую часть блока питания в жидкость.

**⚠ Важно!** Чтобы обеспечить **БЕЗОПАСНОСТЬ** и **НАДЕЖНОСТЬ** изделия, его ремонт, техническое обслуживание и регулировка (кроме перечисленных в данном руководстве) должны выполняться авторизованными сервисными центрами или другим квалифицированным персоналом, используя только идентичные запасные части.

Блок питания содержит моющийся/многоазовый фильтр (№ 22). Проверяйте фильтр до и после каждого использования. Если он загрязнен, промойте теплой водой и дайте высохнуть на воздухе перед повторной установкой или при необходимости замените. (**Рис. U**)

► Чтобы проверить фильтр,

Отвинтите винты на задней части крышки фильтра (№ 23) и снимите крышку фильтра (№ 23).

Снимите фильтр, как показано на **Рис. U1**, и осмотрите. Соберите фильтр и крышку фильтра.

**⚠ Важно!** Никогда не включайте блок питания без фильтра. Мусор может попасть внутрь и нарушить функционирование блока питания.

## ХРАНЕНИЕ

Перед хранением убедитесь, что устройство чистое и сухое. Храните устройство в помещении в сухом месте. Чтобы предотвратить повреждение, оберните электрический шнур так, чтобы он не был обжат во время хранения.

## ПРИНАДЛЕЖНОСТИ

Рекомендуемые принадлежности для использования с Вашим изделием можно получить у местного агента по продаже или авторизованном сервисном центре.

 **Предупреждение!** Использование любой принадлежности, не рекомендованной для использования с данным изделием, может быть опасным.

## ЗАЩИТА ОКРУЖАЮЩЕЙ СРЕДЫ



Раздельный сбор мусора. Это изделие нельзя утилизировать с обычными бытовыми отходами. Если Вы обнаружите, что Ваше изделие нуждается в замене или если оно Вам больше не нужно, не утилизируйте его с бытовыми отходами. Этот изделие должно быть утилизировано доступным при раздельном сборе мусора.



Раздельный сбор использованных изделий и упаковки позволяет повторно перерабатывать и использовать материалы. Повторное использование переработанных материалов помогает предотвратить загрязнение окружающей среды и снижает спрос на сырье. Местные правила могут предусматривать раздельный сбор электротехнических изделий в домашних хозяйствах, в местах для городских отходов или розничным торговцем при покупке нового изделия.

**ВЫЯВЛЕНИЕ И УСТРАНЕНИЕ НЕИСПРАВНОСТЕЙ**

<b>ПРОБЛЕМА! МАТЕРИАЛ ВЫТЕКАЕТ ИЛИ КАПАЕТ.</b>	
<b>ЧТО НЕ ТАК?</b>	<b>ЧТО СДЕЛАТЬ...</b>
Распыление слишком большого количества материала.	Уменьшите расход краски, повернув ручку настройки материала.
Распыление слишком медленное.	Увеличьте скорость применения.
Распыление слишком близко.	Увеличьте расстояние от поверхности.
Слишком низкая вязкость	Проверьте рекомендацию по разбавлению.
<b>ПРОБЛЕМА! МАТЕРИАЛ КАПАЕТ ИЗ НАСАДКИ</b>	
<b>ЧТО НЕ ТАК?</b>	<b>ЧТО СДЕЛАТЬ...</b>
Насадка неплотно сидит	Плотно затянуть насадку
Насадка сломана	Заменить
Уплотнительное кольцо типа Y насадки сломано	Заменить
Материал накапливается/забивается внутри насадки	Очистить
<b>ПРОБЛЕМА! СЛИШКОМ МНОГО РАСПЫЛЕННОГО МАТЕРИАЛА.</b>	
<b>ЧТО НЕ ТАК?</b>	<b>ЧТО СДЕЛАТЬ...</b>
Распылитель находится слишком далеко от поверхности.	Уменьшите расстояние до поверхности.
Слишком много материала было распылено.	Уменьшайте расход краски, повернув ручку расхода
<b>ПРОБЛЕМА! МАЛО ИЛИ ВООБЩЕ НЕТ РАСПЫЛЯЕМОГО МАТЕРИАЛА.</b>	
<b>ЧТО НЕ ТАК?</b>	<b>ЧТО СДЕЛАТЬ...</b>
Распылительная насадка/наконечник забыты.	Очистить насадки.
Уплотнительное кольцо типа Y насадки потерялось.	Добавьте уплотнительное кольцо к насадке и соберите на месте.
Передающая трубка неплотно сидит или забита.	Проверьте трубку.
Контейнер неплотно сидит.	Прикрутите контейнер плотно.
Крышка для быстрого наполнения неплотно сидит.	Прикрутите крышку для быстрого наполнения плотно.
Блок распылителя не полностью присоединен к блоку питания	Проверьте крепление блока распылителя
Слишком низкая установка ручки расхода.	Увеличьте установку контроля расхода.
Подача воздуха заблокирована	Очистите или замените фильтр.
Материал слишком толстый.	Тонкий материал по рекомендации производителя.



<b>ПРОБЛЕМА! РАСПЫЛЯЕМЫЙ МАТЕРИАЛ РАЗБРЫЗГИВАЕТСЯ.</b>	
<b>ЧТО НЕ ТАК?</b>	<b>ЧТО СДЕЛАТЬ...</b>
Вязкость материала слишком высока.	Тонкий материал по рекомендации производителя.
<b>ПРОБЛЕМА! РАСПЫЛЕНИЕ СЛИШКОМ ГРУБОЕ.</b>	
<b>ЧТО НЕ ТАК?</b>	<b>ЧТО СДЕЛАТЬ...</b>
Вязкость материала слишком высока.	Тонкий материал по рекомендации производителя.
Слишком высокая установка ручки расхода.	Снизьте установку контроля расхода.
Материал накапливается/забивается внутри насадки	Очистить
Подача воздуха заблокирована	Очистите или замените фильтр.
Контейнер неплотно сидит.	Прикрутите контейнер плотно.
Крышка для быстрого наполнения неплотно сидит.	Прикрутите крышку для быстрого наполнения плотно.
<b>ПРОБЛЕМА! РАСПЫЛИТЕЛЬ ПУЛЬСИРУЕТ.</b>	
<b>ЧТО НЕ ТАК?</b>	<b>ЧТО СДЕЛАТЬ...</b>
Воздушный фильтр засорен	Очистите или замените воздушный фильтр
Материал в контейнере почти пуст.	Заполните контейнер.
Контейнер неплотно сидит.	Прикрутите контейнер плотно.
Крышка для быстрого наполнения неплотно сидит.	Прикрутите крышку для быстрого наполнения плотно.
<b>ПРОБЛЕМА! РАСПЫЛЯЕМЫЙ МАТЕРИАЛ НЕ ПОКРЫВАЕТСЯ ДОЛЖНЫМ ОБРАЗОМ.</b>	
<b>ЧТО НЕ ТАК?</b>	<b>ЧТО СДЕЛАТЬ...</b>
Слишком низкая установка ручки расхода.	Увеличьте установку контроля расхода.
Зазор в целевой области слишком большой	Уменьшите расстояние распыления
Слишком мало полос, распыленных в целевой области	Нанесите больше полос, распыленных по целевой зоне
Вязкость материала слишком высока.	Тонкий материал по рекомендации производителя.

## УСЛОВИЯ ГАРАНТИЙНОГО ОБСЛУЖИВАНИЯ

1. Настоящее гарантийное свидетельство является единственным документом, подтверждающим Ваше право на бесплатное гарантийное обслуживание. Без предъявления данного свидетельства претензии не принимаются. В случае утери или порчи гарантийное свидетельство не восстанавливается.
  2. Гарантийный срок на электроинструмент составляет 12 месяцев со дня продажи, в течение гарантийного срока сервисная служба бесплатно устраняет производственные дефекты и производит замену деталей, вышедших из строя по вине изготовителя. На период гарантийного ремонта эквивалентный исправный инструмент не предоставляется. Заменяемые детали переходят в собственность служб сервиса. Компания P.I.T. не несет ответственности за вред, который может быть причинен при работе с электроинструментом.
  3. В гарантийный ремонт инструмент принимается в чистом виде, при обязательном наличии надлежащим образом оформленных документов: настоящего гарантийного свидетельства, гарантийного талона, с полностью заполненными полями, штампом торговой организации и подписью покупателя.
  4. Гарантийный ремонт не производится в следующих случаях:
    - при отсутствии гарантийного свидетельства и гарантийного талона или неправильном их оформлении;
    - при совместном выходе из строя якоря и статора электродвигателя, при обугливании или оплавлении первичной обмотки трансформатора сварочного аппарата, зарядного или пуско-зарядного устройства, при оплавлении внутренних деталей, прожиге электронных плат;
    - если гарантийное свидетельство или талон не принадлежат данному электроинструменту или не соответствует установленному поставщиком образцу;
    - по истечению срока гарантии;
    - при попытках самостоятельного вскрытия или ремонта электроинструмента вне гарантийной мастерской; внесения конструктивных изменений и смазки инструмента в гарантийный период, о чем свидетельствуют, например, заломы на шлицевых частях крепежа корпусных деталей.
    - при использовании электроинструмента в производственных или иных целях, связанных с получением прибыли, а также – при возникновении неисправностей связанных с нестабильностью параметров электросети, превышающих нормы, установленные ГОСТ;
    - при неправильной эксплуатации (использование электроинструмента не по назначению, установки на электроинструмент не предназначенных заводом-изготовителем насадок, дополнительных приспособлений и т.п.;
    - при механических повреждениях корпуса, сетевого шнура и при повреждениях, вызванных воздействиями агрессивных средств и высоких и низких температур, попадании инородных предметов в вентиляционные решетки электроинструмента, а также при повреждениях, наступивших в результате неправильного хранения(коррозия металлических частей);
    - при естественном износе деталей электроинструмента, в результате длительной эксплуатации(определяется по признакам полной или частичной выработки ресурса, сильного загрязнения, ржавчины снаружи и внутри электроинструмента, отработанной смазки в редукторе);
    - использование инструмента не по назначению, указанному в инструкции по эксплуатации.
    - при механических повреждениях инструмента;
    - при возникновении повреждений в связи с несоблюдением предусмотренных инструкцией условий эксплуатации(см. главу Указание по технике безопасности в инструкции).
    - повреждение изделия вследствие несоблюдения правил хранения и транспортировки.
- Профилактическое обслуживание электроинструмента (чистка, промывка, смазка, замена пыльников, поршневых и уплотнительных колец) в гарантийный период является платной услугой.
- Срок службы изделия установлен изготовителем и составляет 2 года со дня изготовления.
- О возможных нарушениях, изложенных выше условий гарантийного обслуживания, владельцу сообщается после проведения диагностики в сервисном центре.
- Владелец инструмента доверяет проведение диагностики в сервисном центре в свое отсутствие.
- Запрещается эксплуатация электроинструмента при проявлении признаков повышенного нагрева, искрения, а также шума в редукторной части. Для выяснения причин неисправности покупателю следует обратиться в гарантийную мастерскую.
- Неисправности, вызванные несвоевременной заменой угольных щеток двигателя, устраняются за счет покупателя.
5. Гарантия не распространяется на:
    - сменные принадлежности (аксессуары и оснастка), например: аккумуляторы, диски, ножи, сверла, буры, патроны, цепи, звездочки, канговые зажимы, шины, элементы натяжения и крепления, головки триммеров, подошвы шлифовальных и ленточных машин, фильтры и т.п.
    - быстроизнашивающиеся детали, например: угольные щетки, приводные ремни, сальники, защитные кожухи, направляющие ролики, направляющие, резиновые уплотнения, подшипники, зубчатые ремни и колеса, стволы, ленты тормоза, храловики и тросы стартеров, поршневые кольца и т.п. Замена их в течении гарантийного срока является платной услугой.
    - шнуры питания, в случае повреждения изоляции, шнуры питания подлежат обязательной замене без согласия владельца (услуга платная).
    - корпуса инструмента.

**ГАРАНТИЙНОЕ СВИДЕТЕЛЬСТВО НА ИНСТРУМЕНТ P.I.T.**

Наименование изделия \_\_\_\_\_

Артикул изделия Серийный номер 

Дата продажи «\_\_» \_\_\_\_\_

Наименование торговой организации \_\_\_\_\_

М.П.

**Уважаемый покупатель!**

Благодарим Вас за покупку инструмента P.I.T. и надеемся, что Вы останетесь довольны своим выбором. В процессе производства инструменты P.I.T. проходят многоуровневый контроль качества, если тем не менее Ваше изделие будет нуждаться в обслуживании, просим Вас обращаться в авторизированные сервисные центры P.I.T.

**Внимание!**

При покупке требуйте у продавца проверки комплектности и работоспособности инструмента, заполнение гарантийного свидетельства, гарантийного талона (графы заполняются продавцом) и простановки печати торговой организации в гарантийном свидетельстве и гарантийном талоне.

**Гарантия**

На основании данного гарантийного свидетельства компания P.I.T. гарантирует отсутствие дефектов производственного характера.

Если в течении гарантийного срока в Вашем изделии тем не менее обнаружатся указанные дефекты, специализированные сервисные центры P.I.T. бесплатно отремонтируют изделие и заменят дефектные запасные части.

Гарантийный срок на электроинструменты P.I.T. составляет 12 месяцев со дня продажи.

**«С условиями гарантийного обслуживания ознакомлен(а). Работоспособность и комплектность изделия проверены в моем присутствии. Претензий к качеству и внешнему виду не имею».**

Подпись покупателя \_\_\_\_\_ Фамилия(разборчиво) \_\_\_\_\_

Телефон \_\_\_\_\_

## P.I.T. WARRANTY CARD

Name \_\_\_\_\_  
 Serial number \_\_\_\_\_  
 The date of sale 20\_\_\_\_  
 The date of receipt of the repair 20\_\_\_\_



Name \_\_\_\_\_  
 Serial number \_\_\_\_\_  
 Date of sale "" \_\_\_\_\_  
 (Filled by seller)

Seal is here

**WARRANTY REPAIR CARD**  
 date of acceptance for repair \_\_\_\_20\_\_\_\_\_  
 Application for repair \_\_\_\_\_  
 Customer \_\_\_\_\_  
 Telephone (address) \_\_\_\_\_  
 The reason for petition \_\_\_\_\_  
 Tool checked in my presence \_\_\_\_\_  
 (The order is filled in the service center) (signature)

Seal is here

Name \_\_\_\_\_  
 Serial number \_\_\_\_\_  
 The date of sale 20\_\_\_\_  
 The date of receipt of the repair 20\_\_\_\_



Name \_\_\_\_\_  
 Serial number \_\_\_\_\_  
 Date of sale "" \_\_\_\_\_  
 (Filled by seller)

Seal is here

**WARRANTY REPAIR CARD**  
 date of acceptance for repair \_\_\_\_20\_\_\_\_\_  
 Application for repair \_\_\_\_\_  
 Customer \_\_\_\_\_  
 Telephone (address) \_\_\_\_\_  
 The reason for petition \_\_\_\_\_  
 Tool checked in my presence \_\_\_\_\_  
 (The order is filled in the service center) (signature)

Seal is here

Name \_\_\_\_\_  
 Serial number \_\_\_\_\_  
 The date of sale 20\_\_\_\_  
 The date of receipt of the repair 20\_\_\_\_



Name \_\_\_\_\_  
 Serial number \_\_\_\_\_  
 Date of sale "" \_\_\_\_\_  
 (Filled by seller)

Seal is here

**WARRANTY REPAIR CARD**  
 date of acceptance for repair \_\_\_\_20\_\_\_\_\_  
 Application for repair \_\_\_\_\_  
 Customer \_\_\_\_\_  
 Telephone (address) \_\_\_\_\_  
 The reason for petition \_\_\_\_\_  
 Tool checked in my presence \_\_\_\_\_  
 (The order is filled in the service center) (signature)

Seal is here

**ГАРАНТИЙНЫЙ ТАЛОН P.I.T.**

 Наименование \_\_\_\_\_  
 Серийный номер \_\_\_\_\_  
 Дата продажи « \_\_\_\_ » \_\_\_\_\_ 20 \_\_ г.  
 (Заполняется продавцом)

М.П.

**КАРТА ГАРАНТИЙНОГО РЕМОНТА** \_\_

 Дата приема в ремонт \_\_ \_\_\_\_\_ 20 \_\_ г.  
 Заявка на ремонт \_\_\_\_\_  
 Заказчик \_\_\_\_\_  
 Телефон(адрес) \_\_\_\_\_  
 Причина обращения \_\_\_\_\_  
 Дата получения из ремонта \_\_ \_\_\_\_\_ 20 \_\_ г.  
 Инструмент проверен в моем присутствии \_\_\_\_\_  
 (Заказ заполняется в сервисном центре) (подпись)

М.П.

 Наименование \_\_\_\_\_  
 Серийный номер \_\_\_\_\_  
 Дата продажи « \_\_\_\_ » \_\_\_\_\_ 20 \_\_ г.  
 Дата получения из ремонта « \_\_\_\_ » \_\_\_\_\_ 20 \_\_ г.

 Наименование \_\_\_\_\_  
 Серийный номер \_\_\_\_\_  
 Дата продажи « \_\_\_\_ » \_\_\_\_\_ 20 \_\_ г.  
 (Заполняется продавцом)

М.П.

**КАРТА ГАРАНТИЙНОГО РЕМОНТА** \_\_

 Дата приема в ремонт \_\_ \_\_\_\_\_ 20 \_\_ г.  
 Заявка на ремонт \_\_\_\_\_  
 Заказчик \_\_\_\_\_  
 Телефон(адрес) \_\_\_\_\_  
 Причина обращения \_\_\_\_\_  
 Дата получения из ремонта \_\_ \_\_\_\_\_ 20 \_\_ г.  
 Инструмент проверен в моем присутствии \_\_\_\_\_  
 (Заказ заполняется в сервисном центре) (подпись)

М.П.

 Наименование \_\_\_\_\_  
 Серийный номер \_\_\_\_\_  
 Дата продажи « \_\_\_\_ » \_\_\_\_\_ 20 \_\_ г.  
 Дата получения из ремонта « \_\_\_\_ » \_\_\_\_\_ 20 \_\_ г.

 Наименование \_\_\_\_\_  
 Серийный номер \_\_\_\_\_  
 Дата продажи « \_\_\_\_ » \_\_\_\_\_ 20 \_\_ г.  
 (Заполняется продавцом)

М.П.

**КАРТА ГАРАНТИЙНОГО РЕМОНТА** \_\_

 Дата приема в ремонт \_\_ \_\_\_\_\_ 20 \_\_ г.  
 Заявка на ремонт \_\_\_\_\_  
 Заказчик \_\_\_\_\_  
 Телефон(адрес) \_\_\_\_\_  
 Причина обращения \_\_\_\_\_  
 Дата получения из ремонта \_\_ \_\_\_\_\_ 20 \_\_ г.  
 Инструмент проверен в моем присутствии \_\_\_\_\_  
 (Заказ заполняется в сервисном центре) (подпись)

М.П.

 Наименование \_\_\_\_\_  
 Серийный номер \_\_\_\_\_  
 Дата продажи « \_\_\_\_ » \_\_\_\_\_ 20 \_\_ г.  
 Дата получения из ремонта « \_\_\_\_ » \_\_\_\_\_ 20 \_\_ г.

**P.I.T. WARRANTY SHEET / ГАРАНТИЙНЫЙ ТАЛОН P.I.T.**



**Поставщик / производитель:** Xinjiang Longbo Industrial Co., Ltd./Синзянь Лонгбо Индастриал Ко., Лтд.  
**Адрес производства:** Rm. 602, 6th Floor, No. 531, Weixing Road, Economic And Technological Development Zone, Urumqi, Xinjiang, China / Оф.602, 6 этаж, №531, Вейшинг Роад, Экономик Энд Технолоджикал Девелопмент Зон, Урумчи, Синзянь, Китай  
**Импортер/ организация, уполномоченная принимать претензии:** ООО «Турбо-Тулс»  
**Юридический адрес:** 614058, Пермский край, г. Пермь, ул. Фоминская, 36  
info@pittools.ru  
**Сделано в КНР / Made in China**

