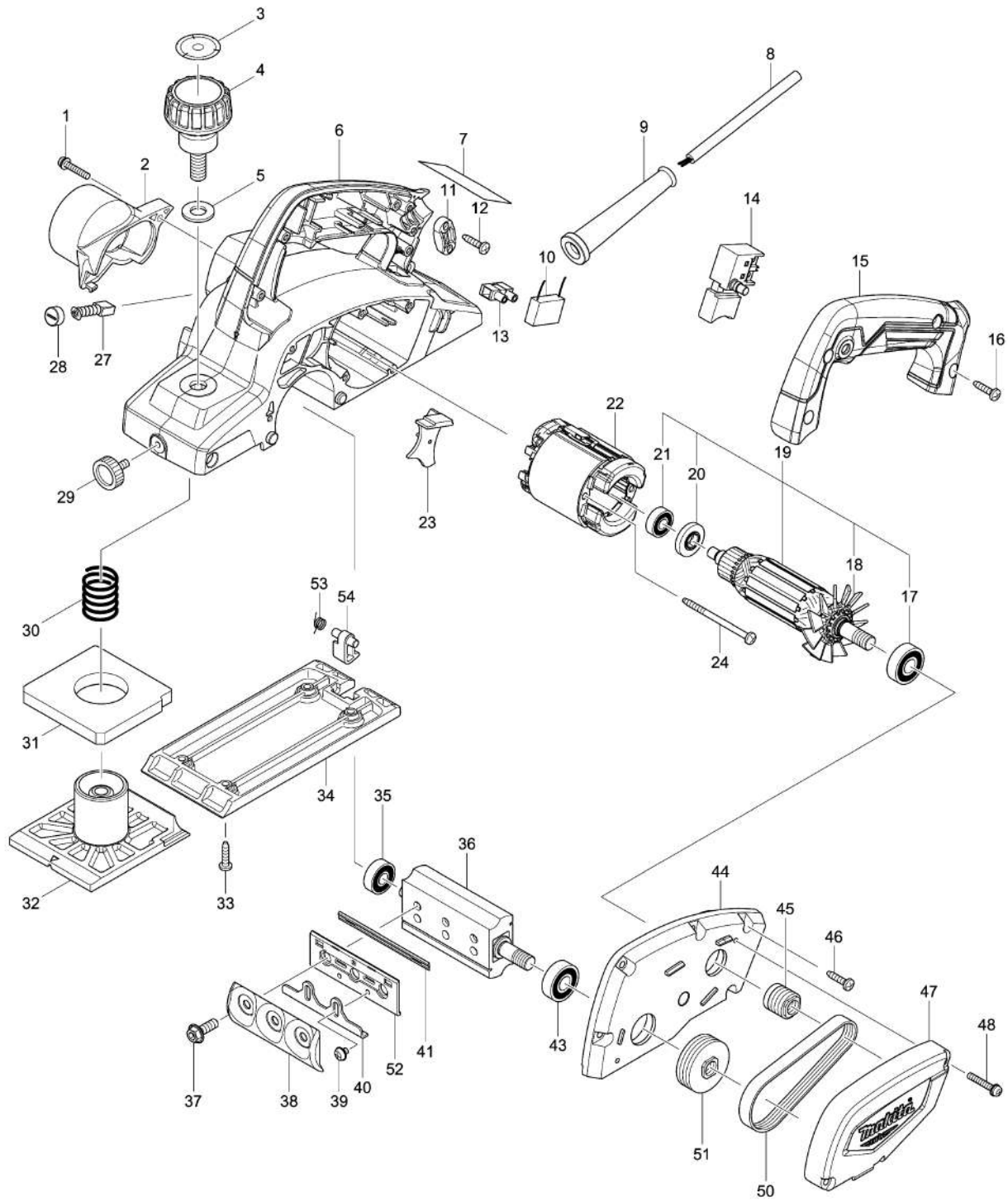


Model No.M1902 82MM PLANER



Model No.M1902 82MM PLANER

Item	Parts No.	Description	I/C	Qty	New/Old	Opt. 1	Opt. 2	Note
001	265147-9	+ PAN HEAD SCREW M4X22		1				
002	451329-1	NOZZLE		1				
003	809N37-6	SCALE LABEL		1				
004	271429-9	KNOB 44		1				
005	267278-0	FLAT WASHER 10		1				
006-1	140A24-1	MAIN FRAME COMPLETE		1				
C10	643509-5	BRUSH HOLDER 6X9		2	*			
C11	643858-0	BRUSH HOLDER 6X9	<	2				
007	852K30-1	M1902 NAME PLATE		1				
008-1	665852-2	POWER SUPPLY CORD 1.0-2-2.0		1				
009	682516-3	CORD GUARD 9.3-85		1				
010	645190-8	NOISE SUPPRESSOR		1				
011	687124-5	STRAIN RELIEF		1				
012	266841-6	TAPPING SCREW 4X18		2				
013	654532-5	TERMINAL BLOCK 1P		1				
014	650786-2	SWITCH TN14-2-B01-1		1				
015	456704-6	HANDLE COVER		1				
016	266841-6	TAPPING SCREW 4X18		4				
017	210141-6	BALL BEARING 6000DDW		1				
018	240068-6	FAN 52		1				
019	513479-1	ARMATURE ASS'Y 240V		1				
D10		INC. 17,18,20,21						
020	681672-6	INSULATION WASHER		1				
021	211382-7	BALL BEARING 607ZZ		1				
022-1	599103-0	FIELD ASSY 240V		1				
C10	654450-7	RING TERMINAL		2				
C21	654485-8	PARALLEL SPLICE		2				
023	456707-0	ASSIST FAN GUIDE		1				
024	266334-3	TAPPING SCREW 4X60		2				
027	191940-4	CARBON BRUSH CB-411		1				
028	643987-9	BRUSH HOLDER CAP 5-8		2				
029	265757-2	THUMB SCREW M5X10		1				
030	233395-8	COMPRESSION SPRING 18		1				
031	421858-8	RUBBER PACKING		1				
032	319418-7	FRONT BASE		1				
033	266841-6	TAPPING SCREW 4X18		4				
034-1	319582-4	BASE		1				
035	210046-0	BALL BEARING 608ZZ		1				
036	161458-9	DRUM		1				
037	251482-1	HEX. SOCKET HEX. BOLT M6X17		6				
038	347024-8	DRUM PLATE		2				

Model No.M1902 82MM PLANER

Item	Parts No.	Description	I/C	Qty	New/Old	Opt. 1	Opt. 2	Note
039	265132-2	+ PAN HEAD SCREW M4X5		4				
040	345644-2	ADJUST PLATE		2				
043	210141-6	BALL BEARING 6000DDW		1				
044	143763-6	BRACKET COMPLETE		1				
C10	263002-9	RUBBER PIN 4		2				
045	222163-4	V PULLEY 4-20L		1				
046	266841-6	TAPPING SCREW 4X18		6				
047	456963-2	BELT COVER		1				
048	265101-3	PAN HEAD SCREW M4X25		2				
050	225092-0	POLY V-BELT 4-241		1				
051	222164-2	V PULLEY 4-37		1				
052	343433-9	SET PLATE F/MINI BLADE		2				
053	231698-4	TORSION SPRING 7		1				
054	451392-4	FOOT		1				
A01	165581-2	GUIDE RULE		1				
A02	456751-7	BLADE GAUGE		1				
A03	783217-7	HEX. WRENCH 5		1				

Please order the parts with part number.

Print Date 31/3/2020